

## Φ 16mm Aperture Split core current transformer



Front view



Opening view



Bottom view

### Characteristic

- Safety lock buckle, easy to install
- Built-in over-voltage protection device (TVS tube)
- Lead type output, length can be customized
- Suspended type

### Product application

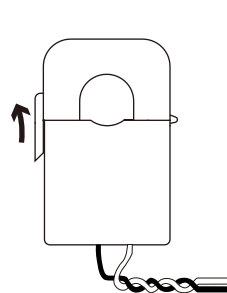
- Portable instrument
- Household metering
- Monitor motor load

### Product advantage

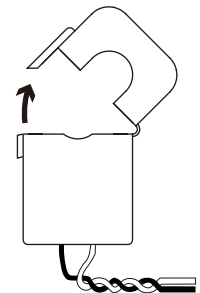
- Small volume, light weight
- Low cost
- High turns, high precision

### Installation diagram

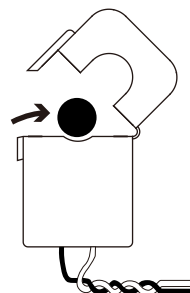
Primary threading method (Firing line)



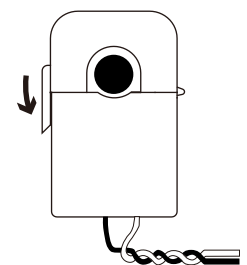
1. Open the buckle



2. Open upward



3. Put in lead wire



4. Fasten the buckle

**Typical technical index:**

- Material of core——Silicon steel sheet
- Working voltage——Phase voltage  $\leq 720V$
- Working temperature—— $-25^{\circ}C \sim +60^{\circ}C$
- Storage temperature—— $-30^{\circ}C \sim +90^{\circ}C$
- Frequency range—— $50Hz \sim 60Hz$
- Dielectric strength——Input (bare conductor) /output AC 800V/1min 5mA 50Hz  
Output/Outer shell AC 3.5KV/1min 5mA 50Hz

**Electrical parameters:** ( The following parameters are typical values and actual values will be subject to product testing )

Max. continuous input current: 120% of rated input

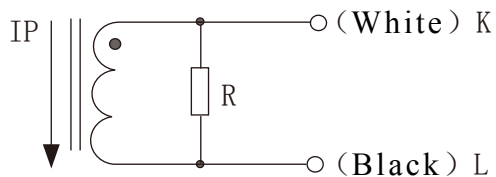
Model	Input current	Output	Turns ratio	Load resistance	Accuracy	Linearity	Weight
SCT016S	50A	100mA	1: 100	5 $\Omega$	1%	1%	85g
SCT016S	100A	100mA	1: 1000	5 $\Omega$	0.5%/1%	1%	85g
SCT016S	120A	40mA	1: 3000	10 $\Omega$	0.5%/1%	1%	85g
SCT016S	150A	100mA	1: 1500	10 $\Omega$	0.5%/1%	1%	85g
SCT016S	150A	50mA	1: 3000	10 $\Omega$	0.5%/1%	1%	85g
SCT016S	160A	40mA	1: 4000	10 $\Omega$	0.5%/1%	1%	85g
SCT016S	200A	100mA	1: 2000	10 $\Omega$	0.5%/1%	1%	85g
SCT016S	200A	50mA	1: 4000	10 $\Omega$	0.5%/1%	1%	85g

Model	Input current	Output	Turns ratio	Power	Accuracy	Linearity	Weight
SCT016S	60A	1A	1:60	0.1VA	1%	1%	85g
SCT016S	80A	1A	1:80	0.1VA	1%	1%	85g
SCT016S	100A	1A	1:100	0.1VA	1%	1%	85g

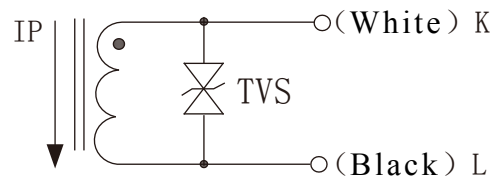
Model	Input current	Output	Turns ratio	Load resistance	Accuracy	Linearity	Weight
SCT016S	50A	0.333V	-	built-in	0.5%/1%	1%	85g
SCT016S	100A	0.333V	-	built-in	0.5%/1%	1%	85g
SCT016S	150A	0.333V	-	built-in	0.5%/1%	1%	85g

**\*Can be customized parameters/lead length/lead specifications according to user requirements.**

**Wiring schematic diagram:**



Built-in sampling resistance  
Voltage output type,  
Secondary doesn't allow short circuit



TVS: Transient voltage suppressor  
Current output type,  
Secondary doesn't allow open circuit

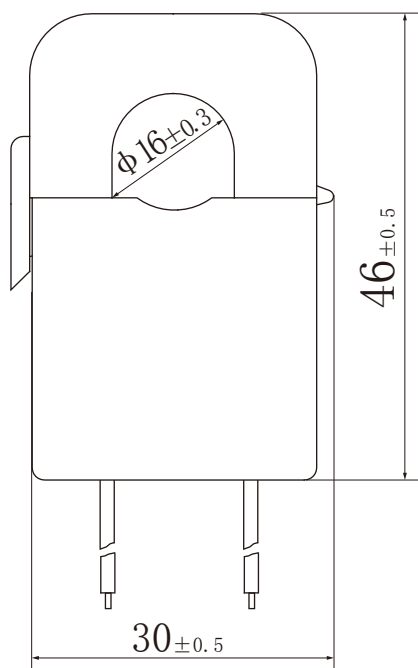
**Cable ( AWG22 ) :**

Specifications of lead wire: 0.3mm<sup>2</sup> black and white twisted pair  
(1A Output: 0.75mm<sup>2</sup> black and white twisted pair)

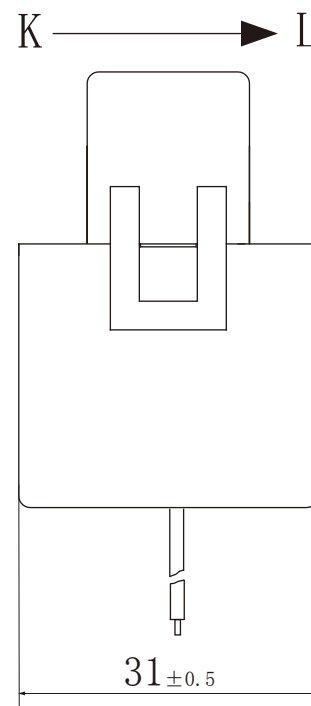
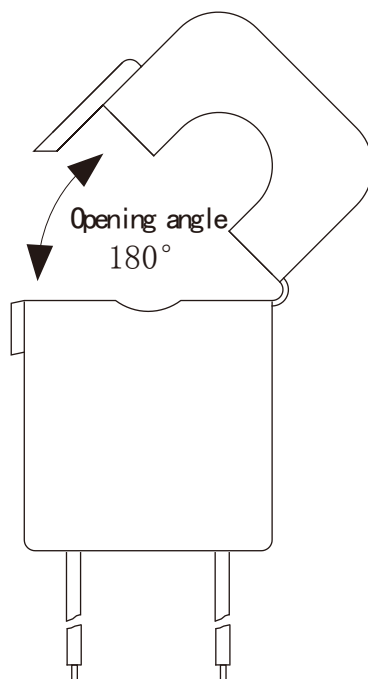
The length of lead wire: 50cm

Color of lead wire: white, black

**Outline size: (in:mm):**



Front view



Side view