

□ 43mm × 33mm Φ Split core current transformer



## Characteristic

- Safety lock clasp, easy to install
- Leading wire output
- Can be customized a variety of output
- Suspended type

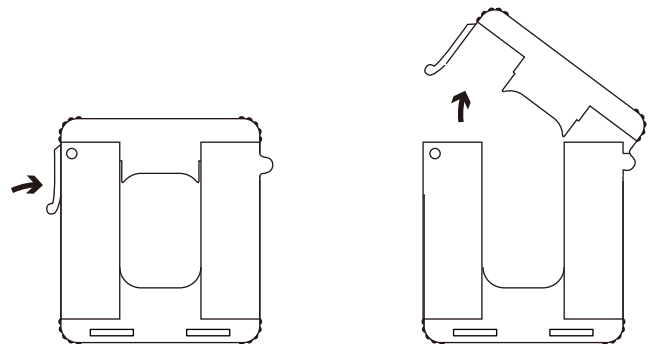
## Product application

- Portable instrument
- Household metering
- Monitor motor load

## Product advantage

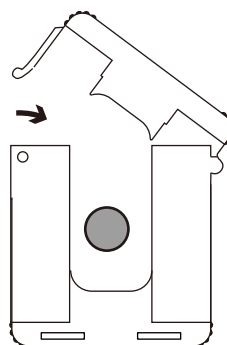
- Small volume, Light weight
- Low cost
- High turns, High precision

## Installation diagram

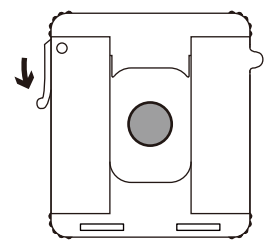


1. Loosen the card buckle

2. Open upward



3. Put in lead wire



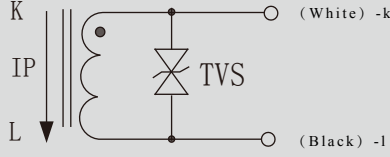
4. Fasten

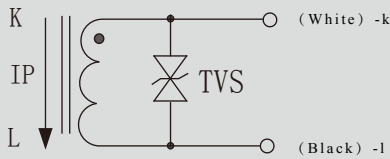
**Typical technical index:**

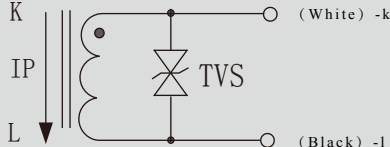
- Material of core——silicon sheets
- Working voltage——Phase voltage $\leq 720V$
- Working temperature—— $-25^{\circ}C \sim +70^{\circ}C$
- Storage temperature—— $-40^{\circ}C \sim +85^{\circ}C$
- Frequency range—— $50Hz \sim 60Hz$
- Dielectric strength——output/shell AC 3.5KV/1min 5mA 50Hz
- Weight--473g

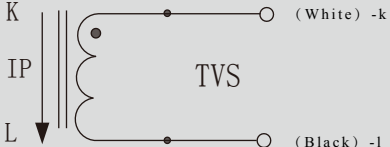
**Electrical parameters** (The following parameters are typical values. The actual values shall be subject to the actual measurement of the product)

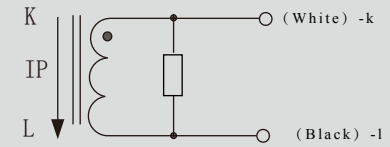
**Can be made according to user requirements parameters**

Model	Input current	Output current	Turns ratio	Accuracy	sampling resistance	Lead specification/schematic diagram
SCT4333QL	100A	50mA	1:2000	0.5%/1%	20 $\Omega$	Leading wire specification: 0.5mm <sup>2</sup> Black and white twisted pair lead length:100cm~102cm  TVS Transient voltage suppressor(7.5V) current output type. the secondary is not allowed to open.
SCT4333QL	200A	50mA	1:4000	0.5%/1%	20 $\Omega$	
SCT4333QL	300A	50mA	1:6000	0.5%/1%	20 $\Omega$	
SCT4333QL	400A	50mA	1:8000	0.5%/1%	20 $\Omega$	
SCT4333QL	500A	50mA	1:10000	0.5%/1%	20 $\Omega$	
SCT4333QL	600A	50mA	1:12000	0.5%/1%	20 $\Omega$	

Model	Input current	Output current	Turns ratio	Accuracy	sampling resistance	Lead specification/schematic diagram
SCT4333QL	100A	0.1A	1:1000	0.5%/1%	10 $\Omega$	Leading wire specification: 0.5mm <sup>2</sup> Black and white twisted pair lead length:100cm~102cm  TVS Transient voltage suppressor(7.5V) current output type. the secondary is not allowed to open.
SCT4333QL	200A	0.1A	1:2000	0.5%/1%	10 $\Omega$	
SCT4333QL	300A	0.1A	1:3000	0.5%/1%	10 $\Omega$	
SCT4333QL	400A	0.1A	1:4000	0.5%/1%	10 $\Omega$	
SCT4333QL	500A	0.1A	1:5000	0.5%/1%	10 $\Omega$	
SCT4333QL	600A	0.1A	1:6000	0.5%/1%	10 $\Omega$	

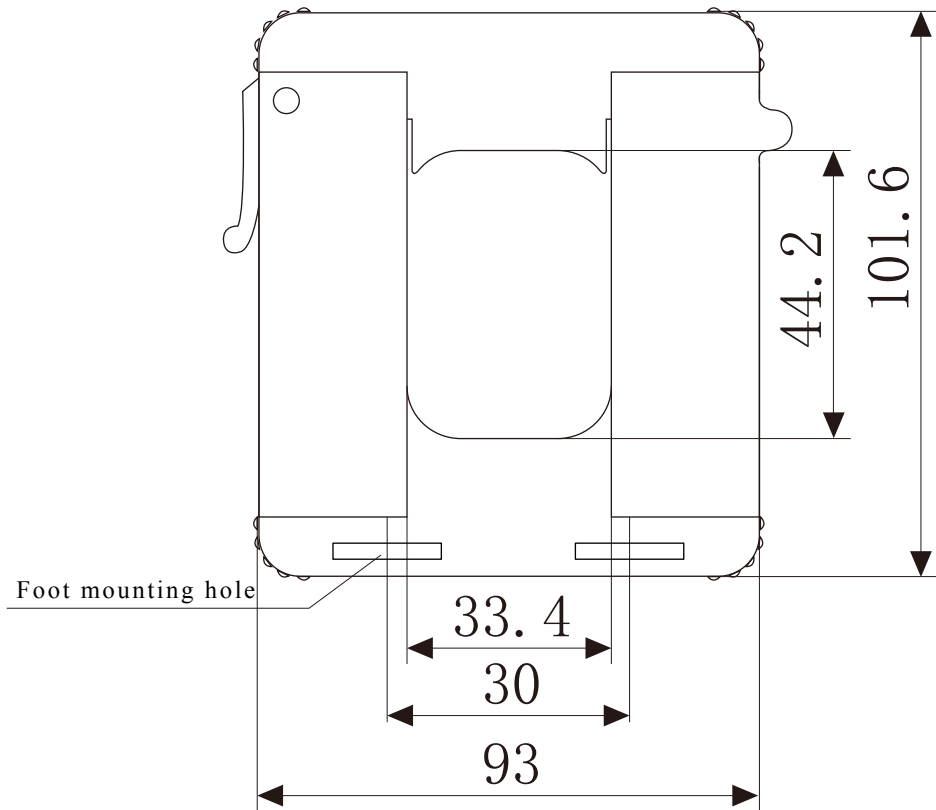
Model	Input current	Output current	Turns ratio	Accuracy	Power	Lead specification/schematic diagram
SCT4333QL	100A	1A	1:100	1%	—	Leading wire specification: 0.5mm <sup>2</sup> Black and white twisted pair lead length:100cm~102cm  TVS Transient voltage suppressor(7.5V) current output type. the secondary is not allowed to open.
SCT4333QL	200A	1A	1:200	1%	—	
SCT4333QL	300A	1A	1:300	1%	—	
SCT4333QL	400A	1A	1:400	1%	—	
SCT4333QL	500A	1A	1:500	1%	—	
SCT4333QL	600A	1A	1:600	1%	—	

Model	Input current	Output current	Turns ratio	Accuracy	Power	Lead specification/schematic diagram
SCT4333QL	100A	5A	1:20	3%	—	Leading wire specification: 1mm <sup>2</sup> Black and white twisted pair lead length:100cm~102cm  current output type. the secondary is not allowed to open.
SCT4333QL	200A	5A	1:40	1%	—	
SCT4333QL	300A	5A	1:60	1%	—	
SCT4333QL	400A	5A	1:80	0.5%	—	
SCT4333QL	500A	5A	1:100	0.5%	—	
SCT4333QL	600A	5A	1:120	0.5%	—	

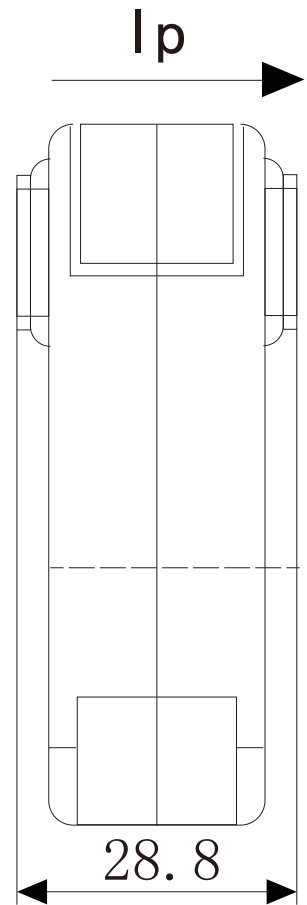
Model	Input current	Output voltage	Accuracy	Load impedance	Lead specification/schematic diagram
SCT4333QL	100A	0.333V	1%	$\geq 10K \Omega$	Leading wire specification: 0.5mm <sup>2</sup> Black and white twisted pair lead length:100cm~102cm  sampling resistance built-in voltage output type not allowed secondary short circuit
SCT4333QL	200A	0.333V	1%	$\geq 10K \Omega$	
SCT4333QL	300A	0.333V	1%	$\geq 10K \Omega$	
SCT4333QL	400A	0.333V	1%	$\geq 10K \Omega$	
SCT4333QL	500A	0.333V	1%	$\geq 10K \Omega$	
SCT4333QL	600A	0.333V	1%	$\geq 10K \Omega$	

**Outline size: (in:mm ± 0.5)**

Core opening and closing way: Rotate the buckle type



**Front view**



**Side view**