

□ 80\*50mm Rectangular hole Split core current transformer



Front view



Opening view



Sub-plate mounting



Platen mounting

Accessories drawing

Accessories drawing

## Product features

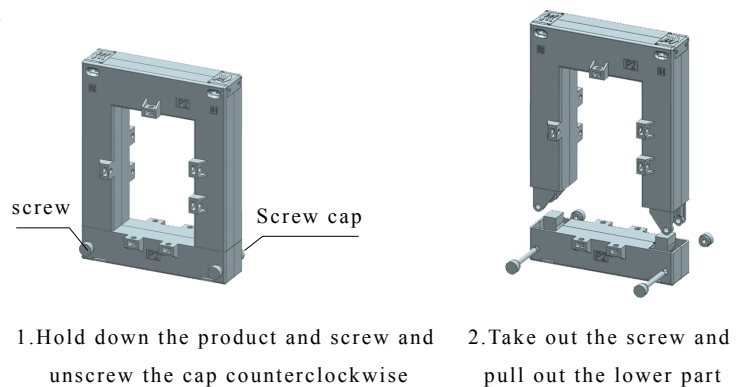
- Rectangular hole
- Terminal output
- Sub-plate mounting/Platen mounting optional

## Installation diagram

Wearing copper platoon method at a time

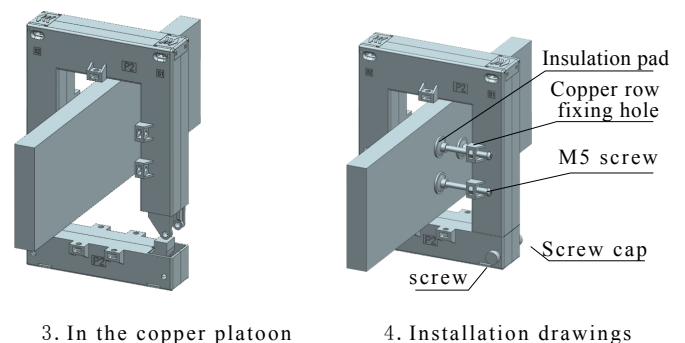
## Product application

- Ac motor
- Lighting equipment
- Air compressor, etc. Current measurements
- Monitoring and protection
- Agricultural network renovation project



## Product advantage

- Adopt high permeability silicon steel, good linearity and high sensitivity
- Terminal design in high enough safe distance at both ends
- The end cover is of buckle structure with high mechanical strength
- Easy installation
- Various sizes available (other models of the same series)



**Typical technical index:**

- Material of core——Silicon steel sheet
- Working voltage——Phase voltage  $\leq 720V$
- Working temperature—— $-20^{\circ}C \sim +60^{\circ}C$
- Storage temperature—— $-25^{\circ}C \sim +90^{\circ}C$
- Frequency range—— $50Hz \sim 60Hz$
- Dielectric strength——Output/shell AC 3.5KV/1min 5mA 50Hz
- Weight——911g (For reference only)

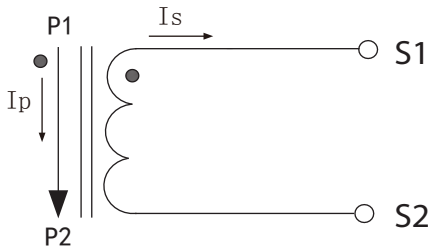
**Electrical parameters:** ( The following parameters are typical values and actual values will be subject to product testing )

**Can be customized parameters**

	Input current A	Output current A	Rated output power VA				Number of turns	
			0.2Sgrade	0.2grade	0.5Sgrade	0.5grade		1grade
1A Output	250A	1A	-	-	-	-	2.5	1
	400A	1A	-	-	5	6.5	10	1
	500A	1A	-	-	10	12.5	20	1
	800A	1A	-	-	12.5	15	25	1
	1000A	1A	-	-	25	40	50	1
	1500A	1A	20	50	60	60	60	1
	2000A	1A	60	60	60	60	60	1
5A Output	250A	5A	-	-	-	1.5	2.5	1
	400A	5A	-	-	3.75	5	10	1
	500A	5A	-	-	3.75	7.5	15	1
	800A	5A	-	2.5	5	10	20	1
	1000A	5A	-	5	12.5	20	50	1
	1500A	5A	-	7.5	40	50	60	1
	2000A	5A	60	60	60	60	60	1

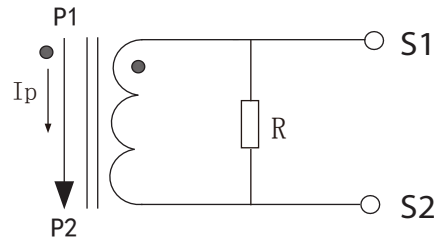
	Input current A	Output voltage V	Accuracy %	Sampling resistance $\Omega$	Load impedance $K\Omega$	Number of turns
0.333V Output	250A	0.333V	1%	built-in	$> 10K\Omega$	1
	400A	0.333V				
	500A	0.333V				
	800A	0.333V				
	1000A	0.333V				
	1500A	0.333V				
	2000A	0.333V				

**Wiring schematic diagram:**



Current output type

Secondary are not allowed to short circuit



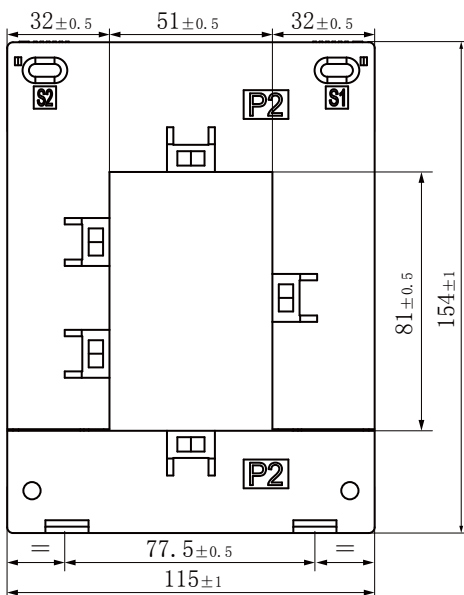
voltage output type

secondary is not allowed to open the way

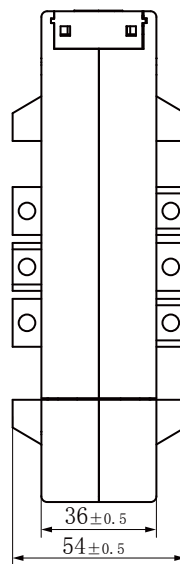
**Instructions:**

- 1.Primary threading direction: P1 → P2
- 2.Secondary output direction: S1 → S2

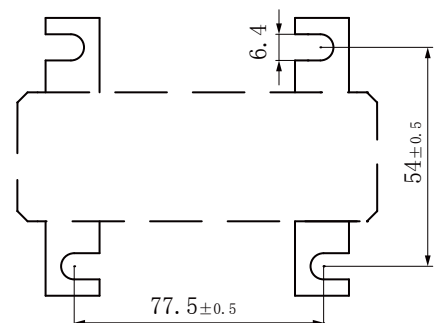
**Outline size: (in:mm)**



Front view



Side view



Bottom plate installation size