

# SCT024TS (1A Output type)



## Characteristic:

Safety lock buckle, easy installation.

Product picture printing is for reference only,  
subject to the actual product

## Technical index:

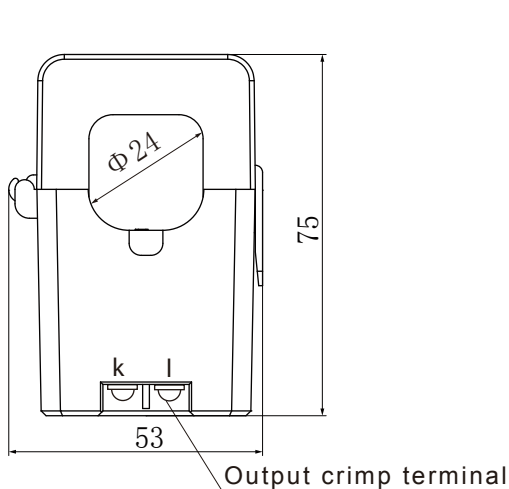
Mounting type: Free hanging (In-Line)  
Material of core: Laminated silicon steel  
Applicable standard: GB20840-2014  
Operating temperature:  $-25^{\circ}\text{C} \sim +60^{\circ}\text{C}$   
Storage temperature:  $-30^{\circ}\text{C} \sim +90^{\circ}\text{C}$   
Frequency range: 50Hz-60Hz  
Dielectric strength: 3.5KV 50Hz 1min



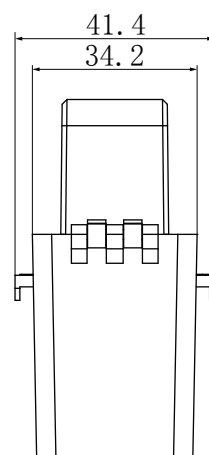
Electrical parameters: The following parameters are typical values. The actual values shall be subject to the actual measurement of the product

Rated input	50A	100A	200A	300A	400A	
Rated output	1A	1A	1A	1A	1A	
Turns ratio	1:50	1:100	1:200	1:300	1:400	
Accuracy	1%	1%	1%	1%	1%	
Power	0.5VA	1VA	1.5VA	2VA	2VA	
Weight	204g					

## Dimension (in mm $\pm 0.5$ ):



Front view



Side view

