

SCT024TS (5A Output type)



Characteristic:

Safety lock buckle, easy installation.

Product picture printing is for reference only, subject to the actual product

Technical index:

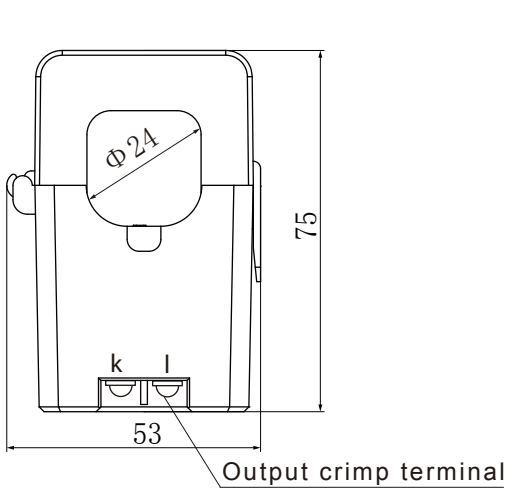
Mounting type: Free hanging (In-Line)
 Material of core: Laminated silicon steel
 Applicable standard: GB20840-2014
 Operating temperature: -25°C ~ +60°C
 Storage temperature: -30°C ~ +90°C
 Frequency range: 50Hz-60Hz
 Dielectric strength: 3.5KV 50Hz 1min



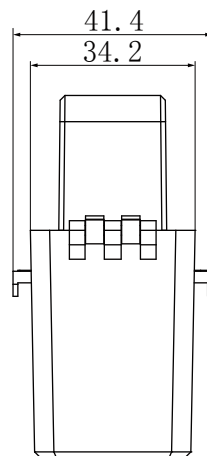
Electrical parameters: The following parameters are typical values. The actual values shall be subject to the actual measurement of the product

Rated input	100A		150A		200A			250A			300A			
Rated output	5A		5A		5A			5A			5A			
Turns ratio	1: 20		1: 30		1: 40			1: 50			1: 60			
Accuracy	1%	3%	1%	3%	0.5%	1%	3%	0.5%	1%	3%	0.5%	1%	3%	
Power	0.5VA	1VA	1VA	2.5VA	1VA	2.5VA	3.75VA	1VA	2.5VA	3.75VA	1VA	2.5VA	3.75VA	
Weight	204g													

Dimension (in mm±0.5) :



Front view



Side view

