

SCT013-RJ11



Characteristic:

Safety lock buckle, easy installation, cable output

Product picture printing is for reference only, subject to the actual product

Technical index:

- Mounting type: Free hanging (In-Line)
- Material of core: Ferrite
- Applicable standards: GB20840-2014
- Operating temperature: $-25^{\circ}\text{C} \sim +60^{\circ}\text{C}$
- Storage temperature: $-30^{\circ}\text{C} \sim +90^{\circ}\text{C}$
- Frequency range: 50Hz-1KHz
- Dielectric strength: Input (bare conductor)/Output AC 800V/1min 50Hz
- Output/Housing AC 3.5KV/1min 50Hz

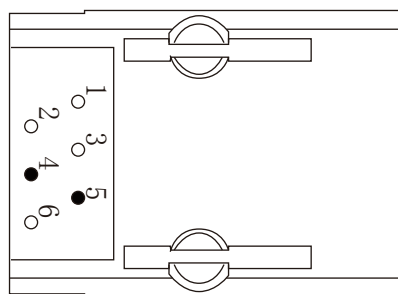


Electrical parameters: The following parameters are typical values. The actual values shall be subject to the actual measurement of the product

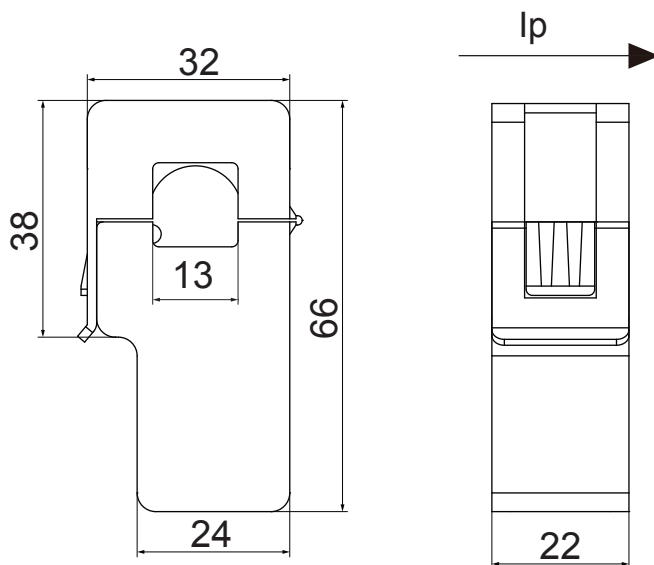
| | | | | | | | | | | | |
|--------------|---------|-----|-----|-----|-----|-----|-----|-----|------|---|--|
| Rated input | 5A | 10A | 15A | 20A | 25A | 30A | 50A | 60A | 100A | A | |
| Rated output | 0.333/1 | | | | | | | | | V | |
| Accuracy | 1 | | | | | | | | | % | |
| Weight | 50g | | | | | | | | | g | |

| | | | |
|---------------------|--------|----------|--|
| Rated input | 100A | A | |
| Rated output | 50 | mA | |
| Turns ratio | 1:2000 | - | |
| Sampling resistance | 10 | Ω | |
| Accuracy | 1 | % | |
| Weight | 50g | g | |

Dimensions(in mm ± 0.5) :



Interface terminal diagram



Front view

Side view

