

# Split core current transformer

Model: SCT030HN

### Characteristics:

Hand-held type, cable output, output connector is audio jack (can design according to clients requirements), built-in TVS. Applicable for the current measuring monitoring and protection of AC motor, lighting equipment and air compressor.

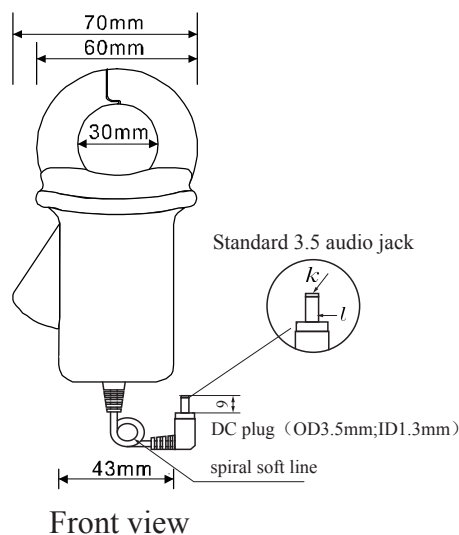
### Technical index:

- Flame resistance: UL94-V0
- Applicable standards: GB1208-2006
- Operating temperature: -25°C ~ +70°C
- Storage temperature: -30°C ~ +90°C
- Work voltage: 720V
- Frequency range: 20Hz-20KHz
- Waterproof grade: IP00
- Dielectric strength: 3.5KV 50Hz 1min

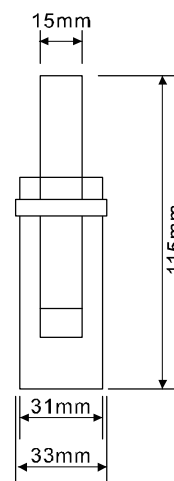
### Electric parameters:

Rated input(rms)	80	A
Max.Input	100	A
Rated output	20	mA
Turns ratio	1:4000	
Accuracy	±1	%
Linearity	1	%
Phase shift	40'	
Max.Sampling resistance	10	Ω
Weight	104	g

### Dimensions (in mm±0.5):



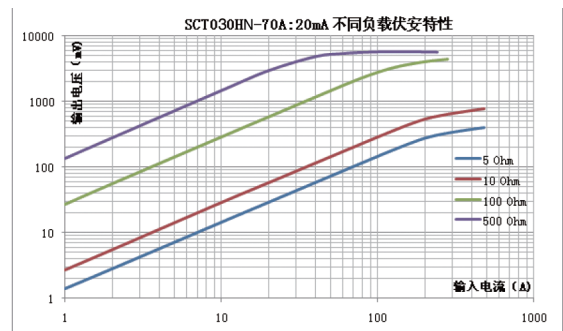
Front view



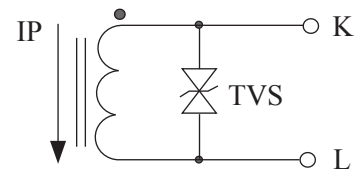
Side view



### Characteristic curve in different load volt-ampere:



### Schematic diagram:



Built-in two-way protection diode  
Current output type