

SCT018R



Characteristics:

Safety lock buckle, easy installation

Technical index:

Mounting type: Free hanging (In-Line)

Material of core: Laminated silicon steel

Applicable standards: GB20840-2014

Operating temperature: -25°C ~ +60°C

Storage temperature: -30°C ~ +90°C

Frequency range: 50Hz-60Hz

Waterproof grade: IP00

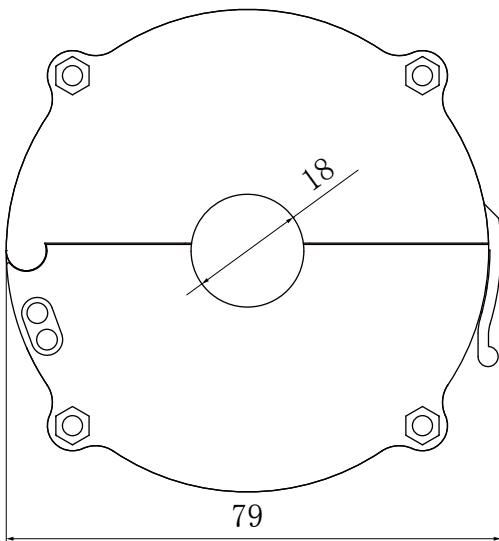
Dielectric strength: Output/Housing AC 3.5KV/1min 50Hz



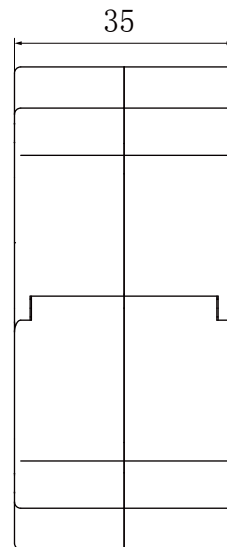
Electrical parameters: (The following parameters are typical values and actual values will be subject to product testing)

Rated input	50A		75A		100A		150A		200A		Specification of cable: 1 .5mm ² Blue and white cord Length of cable:100cm~105cm  Current output type The secondary is not allowed to open circuit			
Rated output	5A		5A		5A		5A		5A					
Turns ratio	1 : 10		1 : 15		1 : 20		1 : 30		1 : 40					
Accuracy	3%	5%	1%	3%	0.5%	1%	3%	0.5%	1%	3%		0.5%	1%	3%
Power	1.5VA		0.5VA	1.5VA	0.1VA	0.5VA	1.5VA	0.1VA	0.5VA	1.5VA		0.1VA	0.5VA	1.5VA
Weight	542g													

Dimension (in mm±0.5) :



Front view



Side view