

# SCT013-RJ11



## Characteristic:

Safety lock buckle, easy installation, RJ11 output

Product picture printing is for reference only, subject to the actual product

## Technical index:

Mounting type: Free hanging (In-Line)

Material of core: Ferrite

Applicable standards: GB20840-2014

Operating temperature:  $-25^{\circ}\text{C} \sim +70^{\circ}\text{C}$

Storage temperature:  $-30^{\circ}\text{C} \sim +90^{\circ}\text{C}$

Frequency range: 50Hz-1KHz

Waterproof grade: IP00

Dielectric strength: Input (bare conductor)/Output AC 800V/1min 50Hz

Output/Housing AC 3.5KV/1min 50Hz

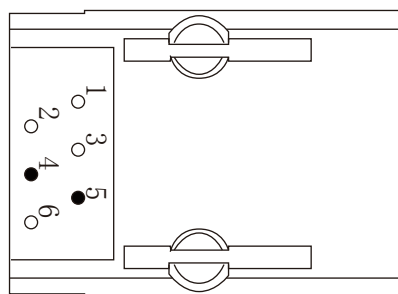


Electrical parameters: The following parameters are typical values. The actual values shall be subject to the actual measurement of the product

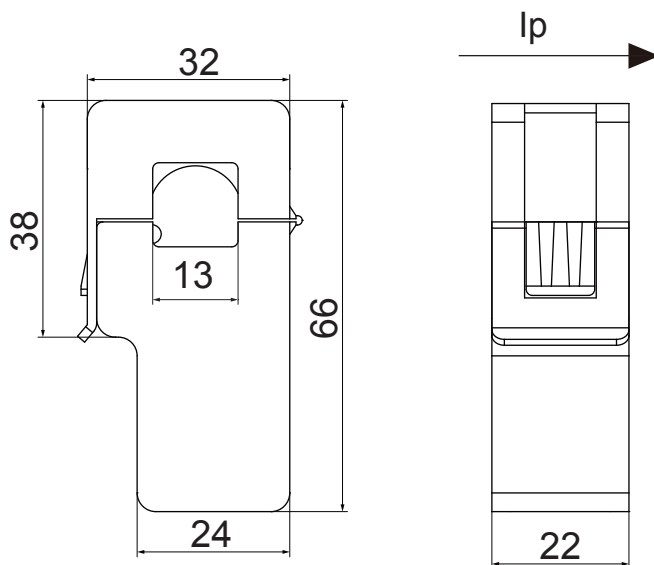
Rated input	5A	10A	15A	20A	25A	30A	50A	60A	100A	A	
Rated output	0.333/1									V	
Accuracy	1									%	
Weight	50g									g	

Rated input	100A	A	
Rated output	50	mA	
Turns ratio	1:2000	-	
Sampling resistance	10	$\Omega$	
Accuracy	1	%	
Weight	50g	g	

Dimensions(in mm $\pm 0.5$ ) :



Interface terminal diagram



Front view

Side view

