

SCT013-RJ45



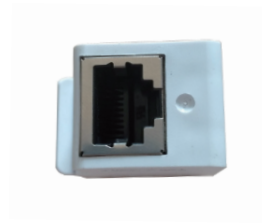
Characteristic:

Safety lock buckle, easy installation, RJ45 output

Technical index:

- Mounting type: Free hanging (In-Line)
- Material of core: Ferrite
- Applicable standards: GB20840-2014
- Operating temperature: -25 °C ~ +70 °C
- Storage temperature: -30 °C ~ +90 °C
- Frequency range: 50Hz-1KHz
- Waterproof grade: IP00
- Dielectric strength: Input (bare conductor)/Output AC 800V/1min 50Hz
- Output/Housing AC 3.5KV/1min 50Hz

Product picture printing is for reference only, subject to the actual product

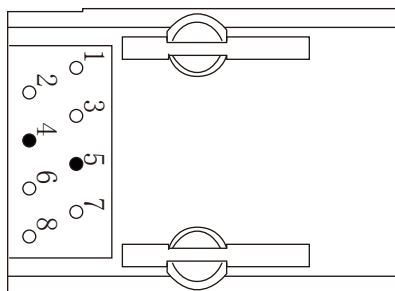


Electrical parameters: The following parameters are typical values. The actual values shall be subject to the actual measurement of the product

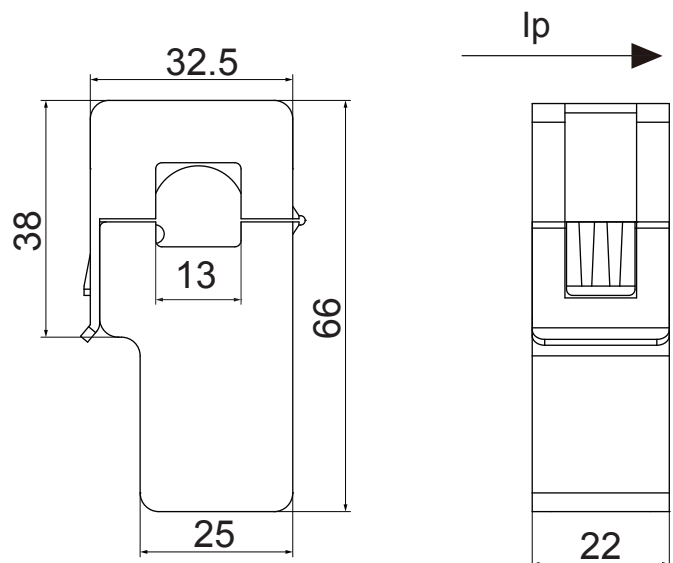
Rated input	5A	10A	15A	20A	25A	30A	50A	60A	100A	A	
Rated output	0.333/1									V	
Accuracy	1									%	
Weight	50g									g	

Rated input	100A	A	
Rated output	50	mA	
Turns ratio	1:2000	-	
Sampling resistance	10	Ω	
Accuracy	1	%	
Weight	50g	g	

Dimensions(in mm±0.5) :



Interface terminal diagram



Front view

Side view

