

Characteristic:

Safety lock buckle, easy installation, screw terminal output.

Product picture : (the printed words are for reference only, subject to the actual product)

Technical index:

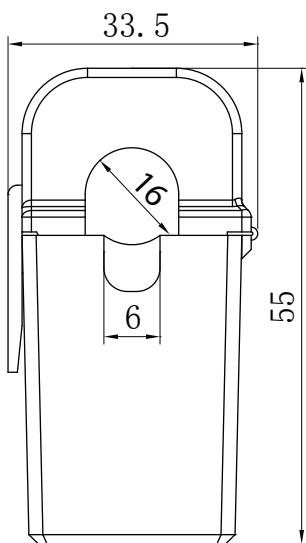
- Mounting type: Free hanging (In-Line)
- Material of core: Laminated silicon steel
- Applicable standards: GB20840-2014
- Operating temperature: $-25^{\circ}\text{C} \sim +60^{\circ}\text{C}$
- Storage temperature: $-30^{\circ}\text{C} \sim +90^{\circ}\text{C}$
- Frequency range: 50Hz-60Hz
- Waterproof grade: IP00
- Dielectric strength: Input (bare conductor)/Output AC 800V/1min 50Hz
Output/housing AC 3.5KV/1min 50Hz



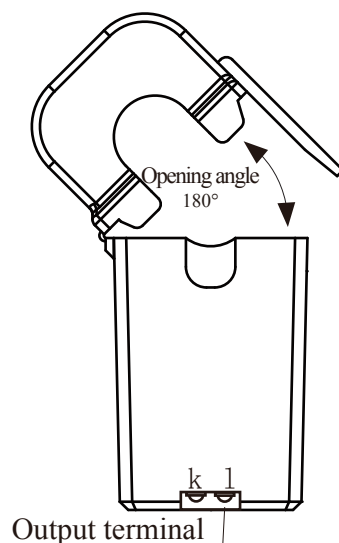
Electrical parameters: (The following parameters are typical values and actual values will be subject to product testing)

Rated input	50	100	150	A	<p>Voltage output type Secondary is not allowed to short circuit</p>
Rated output	0.333/1/3/5			V/AC	
Accuracy	0.5/1			%	
Weight	70			g	

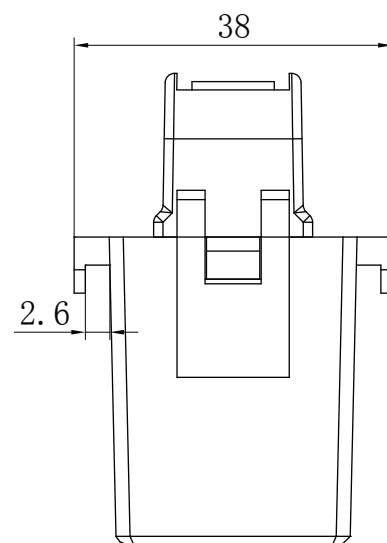
Dimensions (in mm ± 0.5) :



Front view



Output terminal



Side view