

### Characteristic:

Safety lock buckle, easy installation.  
Built-in rectifier, screw terminal output.

### Technical index:

Mounting type: Free hanging (In-Line)  
Material of core: Ferrite  
Applicable standards: GB20840-2014  
Operating temperature:  $-25^{\circ}\text{C} \sim +60^{\circ}\text{C}$   
Storage temperature:  $-30^{\circ}\text{C} \sim +90^{\circ}\text{C}$   
Frequency range: 50Hz-1KHz  
Waterproof grade: IP00  
Dielectric strength: Input (bare conductor)/Output AC 800V/1min 50Hz  
Output/housing AC 3.5KV/1min 50Hz

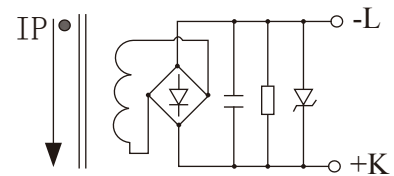
**Electrical parameters:** ( The following parameters are typical values and actual values will be subject to product testing )

Rated input	5	10	20	30	50	A
Rated output	1/3/5					V/DC
Accuracy	2					%
Phase shift	$\leq 184'$					'
Weight	45					g

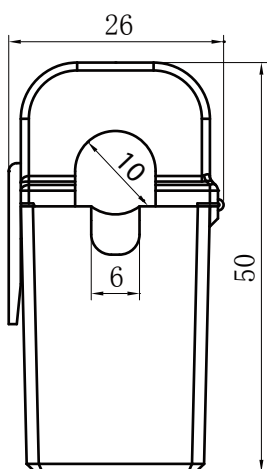
Product picture : (the printed words are for reference only, subject to the actual product)



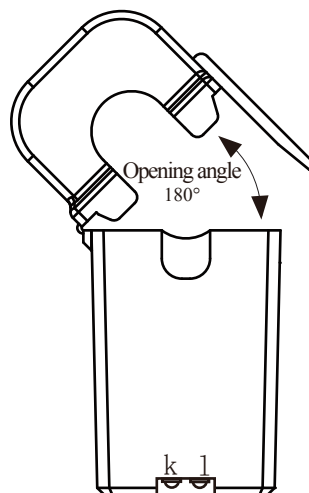
### Schematic diagram:



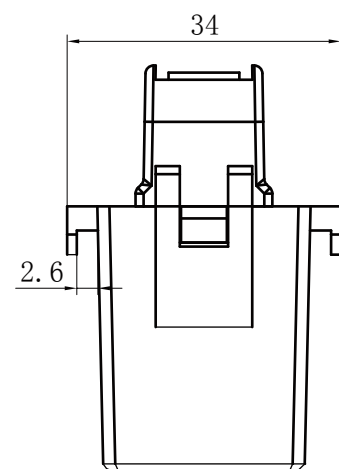
### Dimensions (in mm $\pm 0.5$ ) :



Front view



Output screw terminal



Side view