

### Characteristic:

Safety lock buckle, easy installation.  
Built-in rectifier, screw terminal output.

### Technical index:

Mounting type: Free hanging (In-Line)  
Material of core: Ferrite  
Applicable standards: GB20840-2014  
Operating temperature: -25 °C ~ +60 °C  
Storage temperature: -30 °C ~ +90 °C  
Frequency range: 50Hz-1KHz  
Waterproof grade: IP00  
Dielectric strength: Input (bare conductor)/Output AC 800V/1min 50Hz  
Output/Housing AC 3.5KV/1min 50Hz

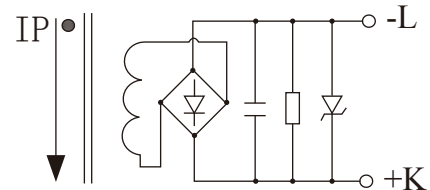
**Electrical parameters:** ( The following parameters are typical values and actual values will be subject to product testing )

Rated input	30	50	60	80	100	A
Rated output	1/3/5					V/DC
Accuracy	2					%
Phase shift	≤ 184'					'
Weight	70					g

Product picture : (the printed words are for reference only, subject to the actual product)



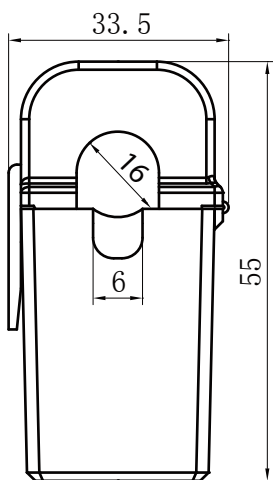
### Schematic diagram:



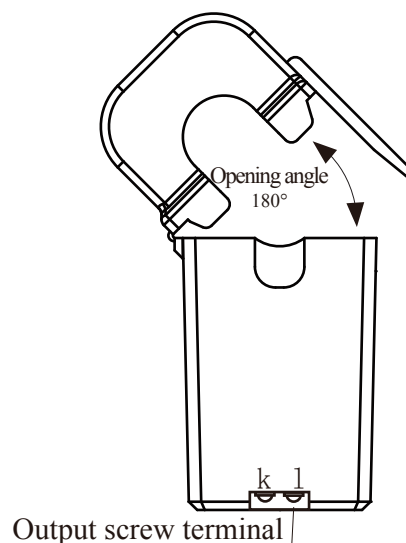
Voltage output type

Secondary are not allowed to short circuit

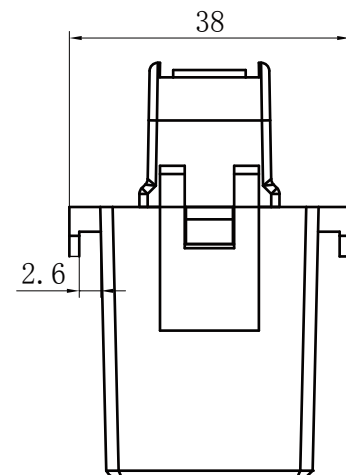
### Dimensions (in mm ± 0.5) :



Front view



Output screw terminal



Side view