

### Characteristic:

Safety lock clasp, easy to install.  
Built-in rectifier, screw terminal output.

### Technical index:

Mounting type: Free hanging (In-Line)  
Material of core: Laminated silicon steel  
Applicable standard: GB20840-2014  
Operating temperature:  $-25^{\circ}\text{C} \sim +60^{\circ}\text{C}$   
Storage temperature:  $-30^{\circ}\text{C} \sim +90^{\circ}\text{C}$   
Frequency range: 50Hz-60Hz  
Waterproof grade: IP00  
Dielectric strength: 3.5KV 50Hz 1min

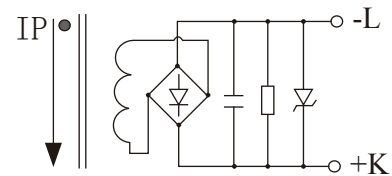
**Electrical parameters:** ( The following parameters are typical values and actual values will be subject to product testing )

Input current	100	150	200	250	300	A
Output voltage	1/3/5					V/DC
Accuracy	2					%
Weight	204					g

Product picture : (the printed words are for reference only, subject to the actual product)



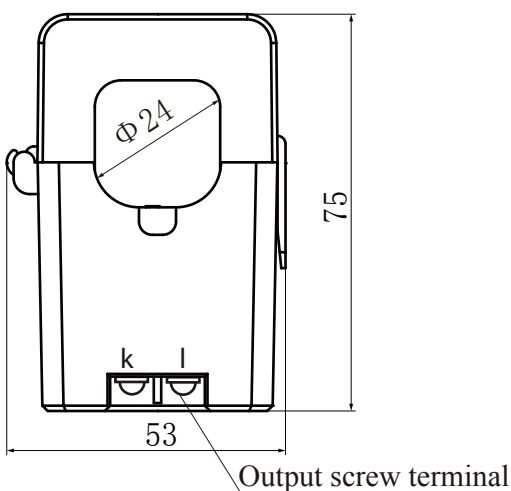
### Schematic diagram:



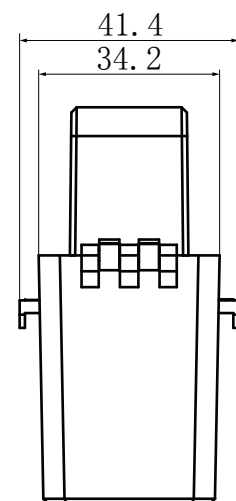
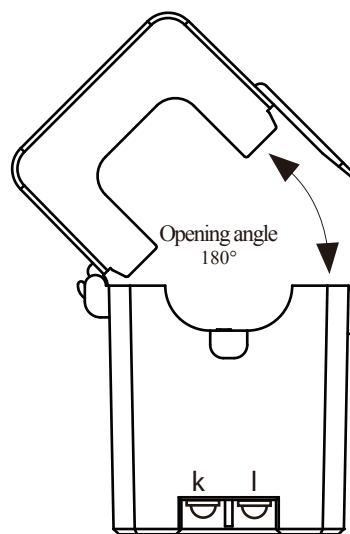
Voltage output type

Secondary are not allowed to short circuit

### Dimensions (in mm $\pm 0.5$ ) :



Front view



Side view