

Detect DC, AC and pulse current, high insulation between primary side and the vice side circuit.

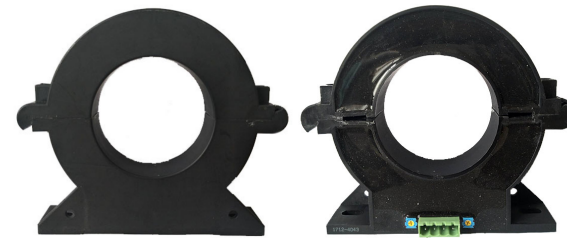
Product picture printing is for reference only, subject to the actual product

### Product application

- Metallurgy
- Welding machine
- Robot
- Inverter power
- Inverter speed controller
- UPS uninterruptible power supply

### Product features

- Light weight
- Low power consumption
- Beautiful appearance
- Fast response time
- No insertion loss
- Sub-plate mounting and easy to use



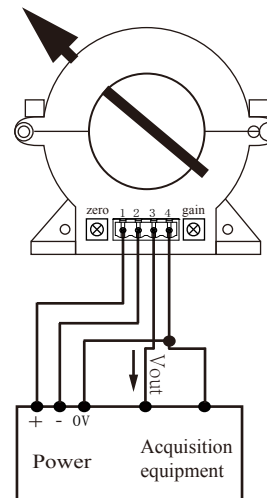
Electrical parameters: the following parameters are typical values, the actual values shall be subject to the actual measurement of the product

Rated input	±200A	±300A	±500A	±600A	±800A	±1000A
Input measurement range	±240A	±360A	±600A	±720A	±960A	±1200A
Rated output	±4V					
Accuracy	1%					
Linearity	1%					
Supply voltage	±12V/±15V					
Current consumption	≤16mA					
Load impedance	≥10KΩ					
Zero offset voltage	≤±15mV					
Response time	≤5μs					
Weight	409g					
Operation temperature	-10℃~+70℃					
Storage temperature	-25℃~+70℃					
Band width	DC~10KHz					
Dielectric strength	3KV 50Hz 1min					

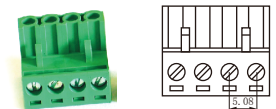
### Terminal definition:

- 1: V+
- 2: V-
- 3: Vout
- 4: 0V

### Wiring diagram:

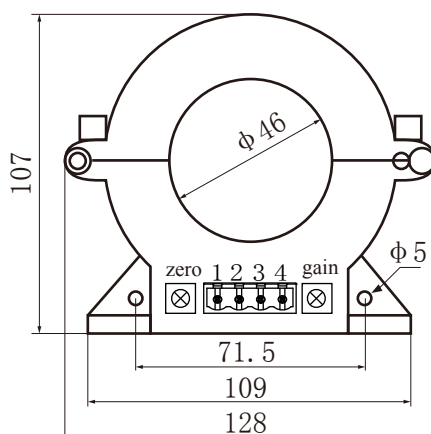


### Connector:



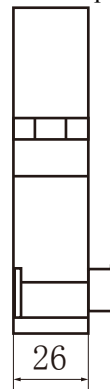
Crimping terminal fast plug 2EDG-5.08-4p spacing 5.08mm

### Dimensions (in mm ±0.5) :



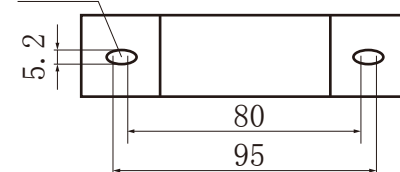
Front view

Current direction  
Print surface ← Epoxy surface



Side view

Fixed hole



Bottom view