

HSTS065



Detect DC, AC and pulse current, high insulation between primary side and the vice side circuit.

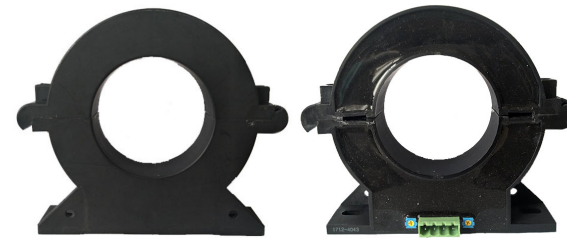
Product picture printing is for reference only, subject to the actual product

Product application

- Metallurgy
- Welding machine
- Robot
- Inverter power
- Inverter speed controller
- UPS uninterruptible power supply

Product features

- Light weight
- Low power consumption
- Beautiful appearance
- Fast response time
- No insertion loss
- Sub-plate mounting and easy to use



Electrical parameters: the following parameters are typical values, the actual values shall be subject to the actual measurement of the product

Rated input	±300A	±500A	±800A	±1000A	±1200A	±1500A
Input measurement range	±360A	±600A	±960A	±1200A	±1440A	±1800A
Rated output	2.5V±0.625V					
Accuracy	1%					
Linearity	1%					
Supply voltage	+5V±5%					
Current consumption	≤16mA					
Load impedance	≥10KΩ					
Zero offset voltage	≤±15mV					
Response time	≤5μs					
Weight	542g					
Operation temperature	-10℃~+70℃					
Storage temperature	-25℃~+70℃					
Band width	DC~10KHz					
Dielectric strength	3KV 50Hz 1min					

Calculation formula: $2.5V \pm 0.625V$

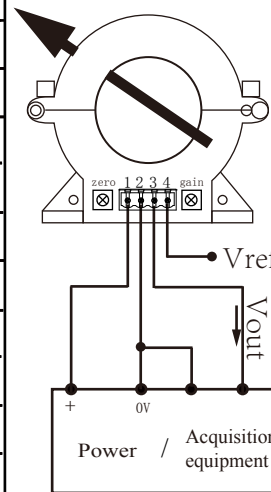
Forward direction: $2.5 + (I/I_{PN}) * 0.625$

Reverse direction: $2.5 - (I/I_{PN}) * 0.625$

I: Actual measured current

I_{PN} : Rated input current

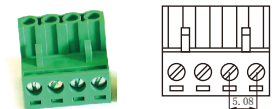
Wiring diagram:



Terminal definition:

- 1: V+
- 2: 0V
- 3: Vout
- 4: Vref

Connector:

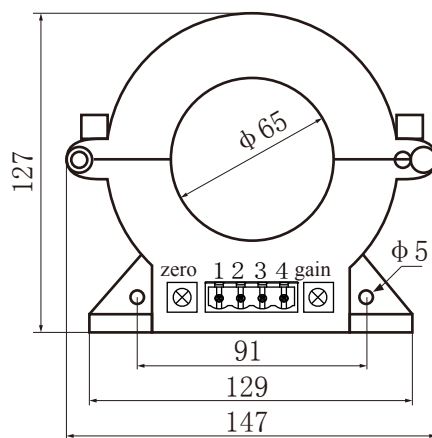


Crimping terminal fast plug
2EDG-5.08-4p spacing 5.08mm

Factory commissioning:

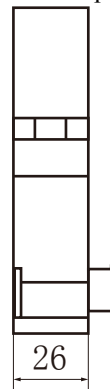
1. Debug with 0V as the reference point (acquiescence)
2. Debug with Vref as the reference point (optional)

Dimensions (in mm±0.5):



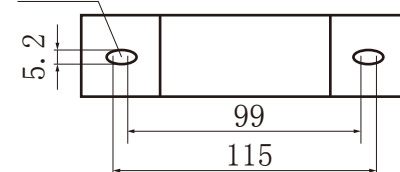
Front view

Current direction
Print surface ← Epoxy surface



Side view

Fixed hole



Bottom view