

# Hall open loop current sensor

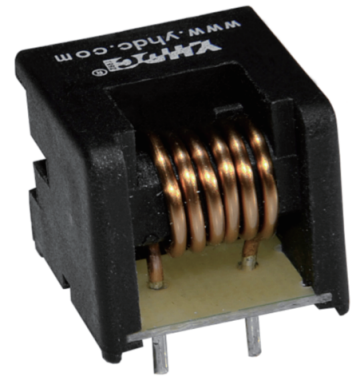


Model: HK18

Open loop hall circuit, bus-bar built-in, PCB welding type, detect DC, AC and pulse current.

## Technical index:

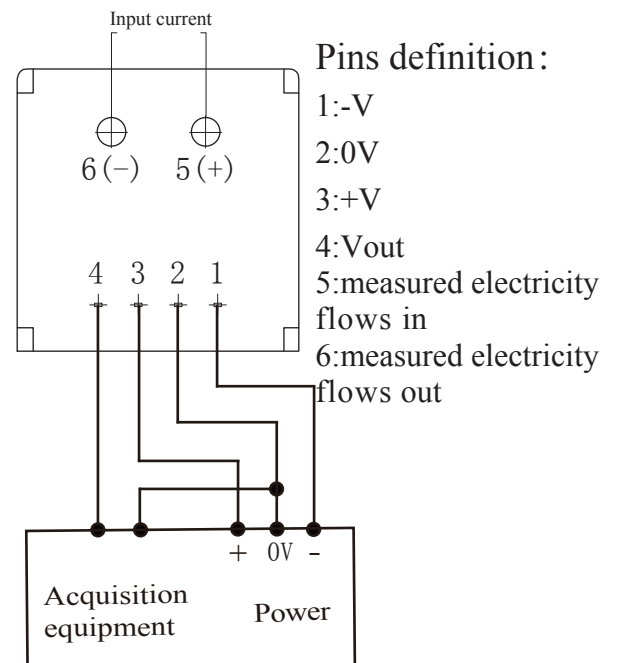
- Flame resistance: UL94-V0
- Working temperature:  $-10^{\circ}\text{C} \sim +70^{\circ}\text{C}$
- Storage temperature:  $-25^{\circ}\text{C} \sim +70^{\circ}\text{C}$
- Band width: DC $\sim$ 25KHz
- Dielectric strength: 3KV 50Hz 1min



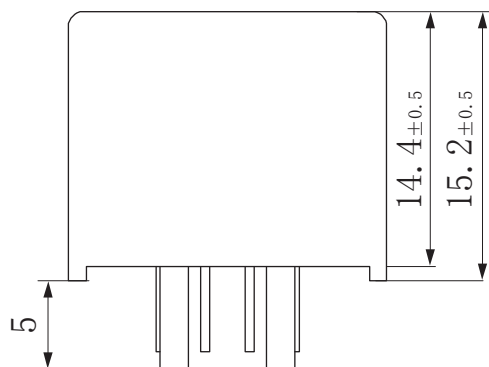
## Connection diagram:

### Electrical parameters:

$I_{PN}$	Rated input	$\pm 3$	$\pm 5$	$\pm 10$	$\pm 30$	A
$I_{PM}$	Input measured range	$\pm 4.5$	$\pm 7.5$	$\pm 15$	$\pm 45$	A
$V_{OUT}$	Rated output	$\pm 4$				V
X	Accuracy	1				%
$\epsilon_L$	Linearity	1				%
$V_C$	Supply voltage( $\pm 5\%$ )	$\pm 12/\pm 15$				V
$I_C$	Current consumption	$\leq \pm 15$				mA
$R_L$	Load impedance	$\geq 10$				K $\Omega$
$V_{OE}$	Zero offset TA=25 C	$\leq \pm 15$				mV
$T_R$	Response time	$\leq 5$				$\mu\text{s}$
N.W	Weight	39				g

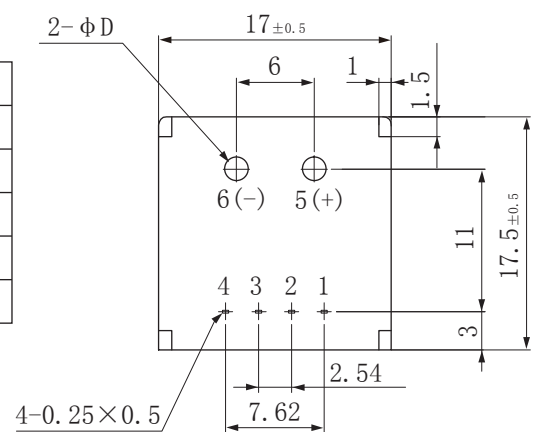


### Dimensions ( in mm ) :



Front view

$I_P$	$\phi D$
3A	$\phi 0.6$
5A	$\phi 0.8$
10A	$\phi 1.1$
15A	$\phi 1.4$
20-30A	$\phi 1.8$



Bottom view