

SCT036TS (mA output type)



Characteristic:

Safety lock buckle, easy installation, screw terminal output.

Product picture :(the printed words are for reference only, subject to the actual product)

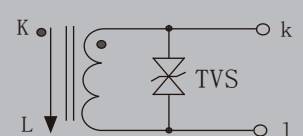
Technical index:

Mounting type: Free hanging (In-Line)
 Material of core: Laminated silicon steel
 Applicable standards: GB20840-2014
 Operating temperature: $-25^{\circ}\text{C} \sim +60^{\circ}\text{C}$
 Storage temperature: $-30^{\circ}\text{C} \sim +90^{\circ}\text{C}$
 Frequency range: 50Hz-1KHz
 Dielectric strength: 3.5KV 50Hz 1min



Electrical parameters: (The following parameters are typical values and actual values will be subject to product testing)

Rated input	100		200		300		400		500		600		A
Rated output	50	100	50	100	50	100	50	100	50	100	50	100	mA
Turns ratio	1:2000	1:1000	1:4000	1:2000	1:6000	1:3000	1:8000	1:4000	1:10000	1:5000	1:12000	1:6000	-
Sampling resistance	20	10	20	10	20	10	20	10	20	10	20	10	Ω
Accuracy	0.5/1												%
Weight	310												g

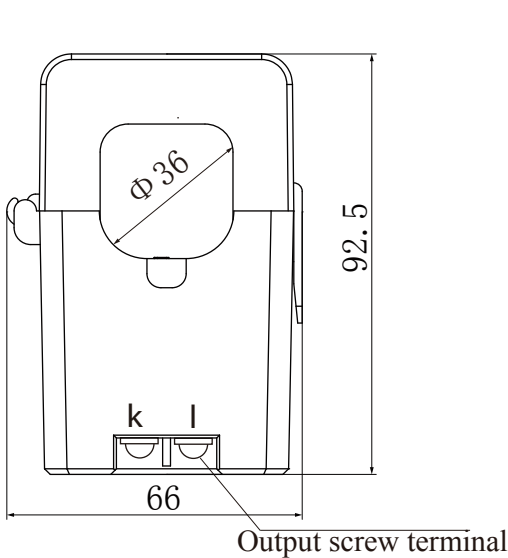


TVS: Transient Voltage Suppressor (7.5V)

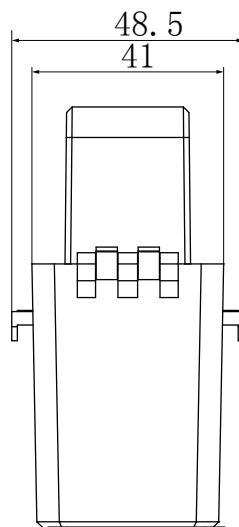
Current output type

Secondary is not allowed to open circuit

Dimensions (in mm ± 0.5):



Front view



Side view

