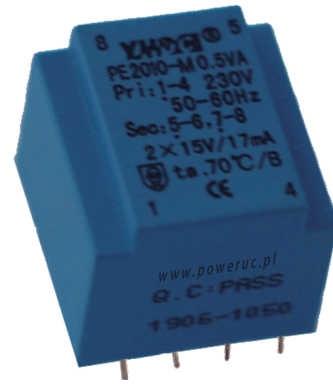


Characteristics:

1. Vacuum epoxy resin encapsulated, 100 °C /6 hours high temperature aging, long working life 20 years and with high dielectric strength
2. EI laminated silicon steel adopt seam welding technology, low temperature rise, high efficiency
3. PBT engineering plastic, environmental protection, flame retardant, 120 degrees no deformation
4. Reasonable structure, convenient installation, low noise, strong seismic, sealed waterproof, moisture-proof



Technical index:

Mounting type: PCB

Flame resistance : UL94-V0

Insulation class: B

Operation temperature: -30°C ~ +70°C

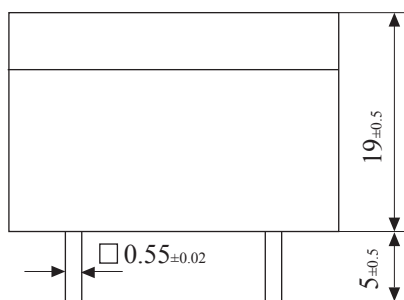
Work frequency: 50Hz ~ 60Hz

Dielectric strength: Pri/Sec. 3.75KV 50Hz 1min 5mA,
Sec/Sec 500V 50Hz 1min 5mA

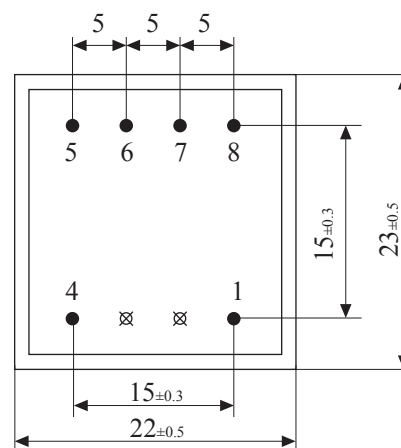
Electrical parameters: (The following parameters are typical values and actual values will be subject to product testing)

Primary voltage	110/220/230	V
Primary voltage range	±10	%
Voltage regulation	≤44	%
Power	0.5	VA
Temperature rising	≤21	°C
No-load loss	≤0.15	W
Weight	35	g

Dimension (in mm±0.5) :



Front view



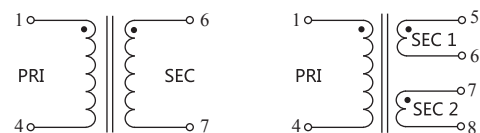
Bottom view

Standard output parameter table:

(Factory test is based on the full-load voltage)

Secondary voltage		Secondary no-load voltage		Secondary full-load current	
Single	Double	Single	Double	Single	Double
6V	6V×2	9V	9V×2	83mA	42mA×2
7.5V	7.5V×2	12V	12V×2	67mA	33mA×2
9V	9V×2	14V	14V×2	55mA	28mA×2
12V	12V×2	19V	19V×2	42mA	21mA×2
15V	15V×2	24V	24V×2	33mA	16mA×2
18V	18V×2	28V	28V×2	28mA	14mA×2
24V	24V×2	38V	38V×2	21mA	10mA×2

Schematic diagram:



Single output

Double output