

HKW22E



Detect DC, AC and pulse current, High insulation between primary side and the vice side circuit.

Product picture : (the printed words are for reference only, subject to the actual product)

Product application

- Metallurgical
- Welding machine
- Robot
- Inverter power supply
- Variable frequency governor
- Uninterrupted power supply and communication power supply

Product application

- Light weight
- Low power consumption
- No insertion loss
- Fast response time
- Small size and beautiful appearance
- PCB installation, easy to use



Electrical parameters: (The following parameters are typical values and actual values will be subject to product testing)

Rated input	800A
Input measurement range	1000A
Rated output	$V_{ref} + 1.5V \pm 0.035V$ ①
Accuracy	1%
Linearity	1%
Power supply voltage	$+5V \pm 0.1V$
Consumption current	$\leq 16mA$
Load impedance	$\geq 10K\Omega$
Offset voltage	$V_{ref} \pm 30mV$ ②
Response time	$\leq 5\mu s$
Weight	56g
Operating temperature	$-10 \sim +70\text{ }^{\circ}C$
Storage temperature	$-25 \sim +70\text{ }^{\circ}C$
Band width	DC~10KHz
Insulation resistance	2.5KV 50Hz 1min

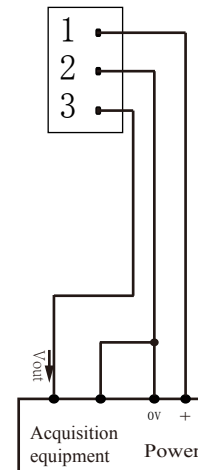
Remarks:

- ① $V_{ref} = V_{cc}/2$
- ② Offset voltage value is after removal of core hysteresis

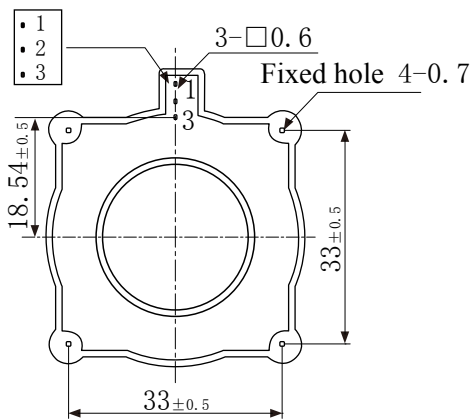
Pin definition:

- 1: V+
- 2: 0V
- 3: Vout

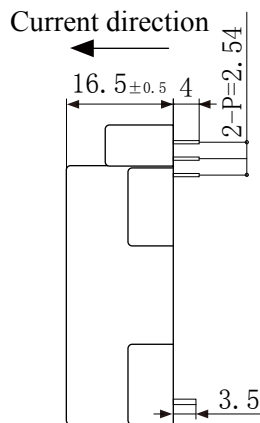
Wiring diagram:



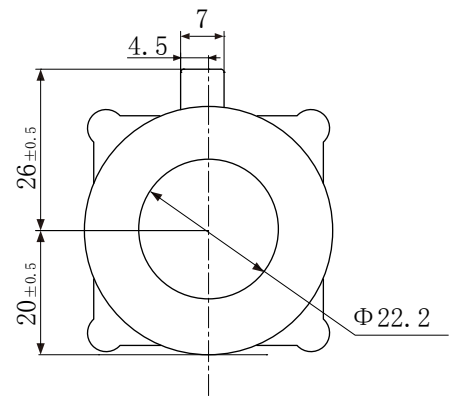
Dimensions(in mm ± 0.5) :



Bottom view



Side view



Top view