

Hall closed loop current sensor



Model: HAS14Z

Closed loop, PCB welding type; Detect DC, AC and pulse current.

Technical Index:

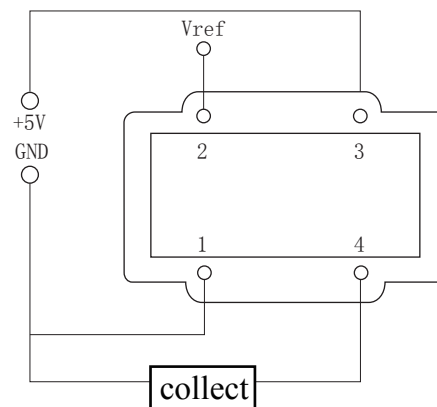
- Flame resistance: UL94-V0
- Working temperature: $-25 \sim +70^{\circ}\text{C}$
- Storage temperature: $-25 \sim +70^{\circ}\text{C}$
- Bandwidth: DC \sim 150KHz
- Dielectric strength: 3KV 50Hz 1min



Electrical parameters:

I_{PN}	Rated input	± 6	± 15	± 25	A
I_{PM}	Input measured range	± 9	± 22.5	± 37.5	A
I_{OUT}	Rated output	2.5 ± 0.625		V	
X	Accuracy	1		%	
ϵ_L	Linearity	0.1		%	
V_C	Supply voltage($\pm 5\%$)	+5		V	
I_C	Current consumption	20		mA+Is	
R_L	Load impedance	$\geq 10K$		Ω	
I_{OE}	Zero offset TA=25 $^{\circ}\text{C}$	$\leq \pm 15$		mV	
T_R	Response time	0.5		μs	
N.W	Weight	16		g	

Connection diagram:



Pins definition:

- 1: 0V
- 2: Vref
- 3: +5V
- 4: Vout

Dimensions (in mm) :

