

# TA 1 1 Busbar built-in precision current transformer **YHDC** 1992

## Characteristics:

Epoxy potting, ultra-fine crystal core, small size, fully enclosed, remote monitoring of electrical load, As the input signal of electronic control system, phase loss indication, electric quantity measurement, motor running state monitoring.

## Technical index:

- Mounting type: PCB
- Material of the core: Nanocrystalline
- Flame resistance: UL94-V0
- Execution standard: GB20840-2014
- Operating temperature: -20℃ ~ +70℃
- Storage temperature: -30℃ ~ +80℃
- Frequency range: 20Hz-20KHz
- Dielectric strength: 3.5KV 50Hz 1min

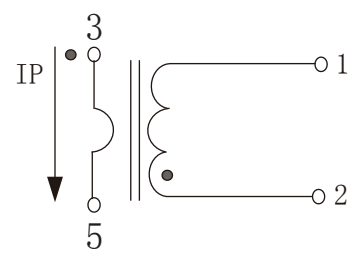
Product picture : (the printed words are for reference only, subject to the actual product)



## Electrical parameters: ( The following parameters are typical values and actual values will be subject to product testing )

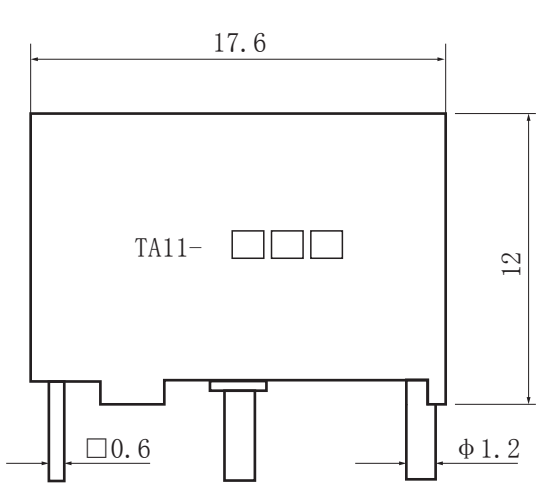
Model	TA11 -100	TA11 -150	Unit
Rated input	5	5	A
Rated output	5	3.3	mA
Turns ratio	1: 1000	1: 1500	
Linearity	≤ 0.2	≤ 0.2	%
Sampling resistance	20	20	Ω
Weight	5.5		g

## Schematic diagram:

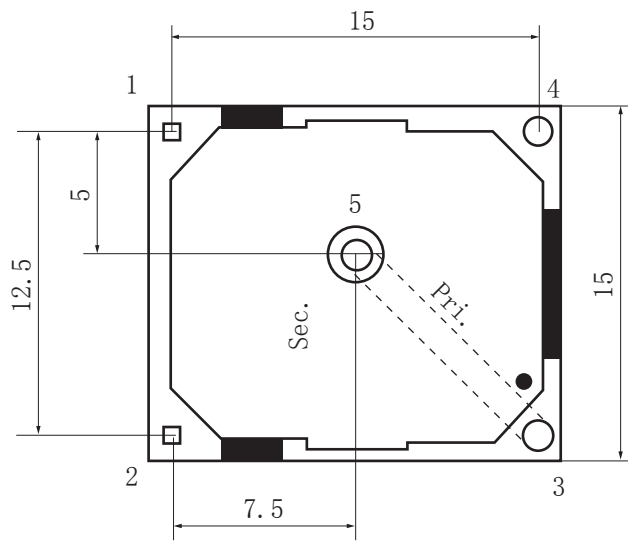


current output type.  
the secondary is not allowed to open.

## Dimensions (in mm±0.5) :



Front view



Bottom view