

## Characteristics:

Epoxy potting, permalloy core, small size, fully enclosed, electrical load remote monitoring, as the input signal of the electronic control system, phase loss indication, electricity measurement, motor running state monitoring.

## Technical index:

Mounting type: PCB  
 Material of the core: ultramicrystal  
 Flame resistance: UL94-V0  
 Execution standard: GB20840-2014  
 Operating temperature:  $-20^{\circ}\text{C} \sim +70^{\circ}\text{C}$   
 Storage temperature:  $-30^{\circ}\text{C} \sim +80^{\circ}\text{C}$   
 Frequency range: 20Hz-20KHz  
 Dielectric strength: 2KV 50Hz 1min

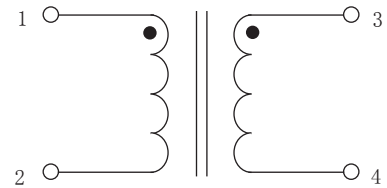
**Electrical parameters:** ( The following parameters are typical values and actual values will be subject to product testing )

Model	TA1310 -01	TA1310 -02	TA1310 -03	Unit
Rated input	2	1.25	0.5	A
Rated output	2	2.5	5	mA
Turns ratio	1: 1000	2: 1000	10: 1000	
Linearity	$\leq 0.2$	$\leq 0.2$	$\leq 0.2$	%
Sampling resistance	200	300	400	$\Omega$
Weight	8			g

Product picture : (the printed words are for reference only, subject to the actual product)

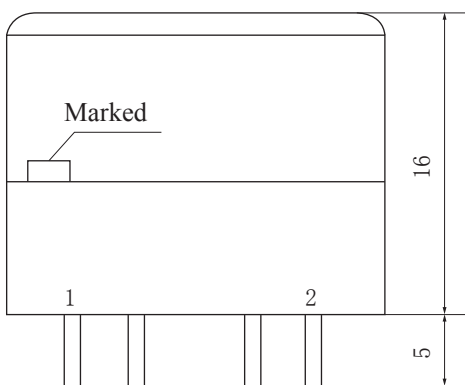


## Schematic diagram:

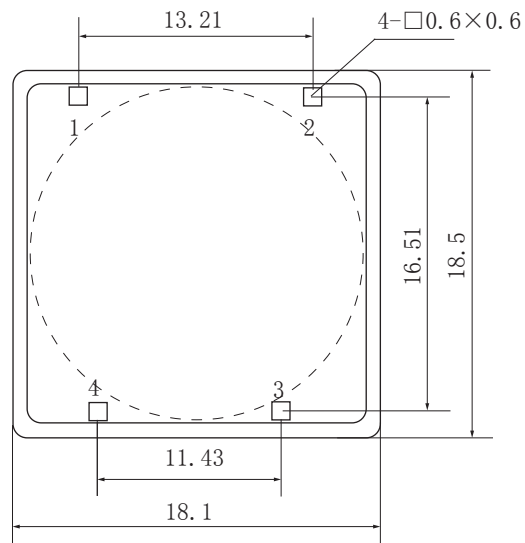


current output type.  
 the secondary is not allowed to open.

## Dimensions (in mm $\pm 0.5$ ) :



Front view



Bottom view