

Plate mounted precision current transformer **YHDC**®

MODEL : TAE3515

Product features:

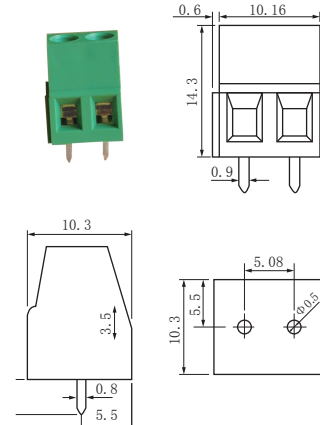
plate type installation, vacuum epoxy sealing, pressure connection terminal wiring.

Technical index:

Mounting type: Plate mounting
 Flame resistance: UL94-V0
 Insulation grade: B
 Operating temperature: -35°C ~ +85°C
 Storage temperature: -45°C ~ +95°C
 Frequency range: 50Hz-60Hz
 Dielectric strength: 3.5KV 50Hz 1min



Schematic diagram of connector:

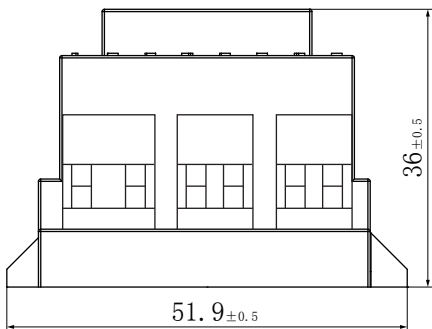


PCB board direct welding type crimping terminals, spacing 5.08

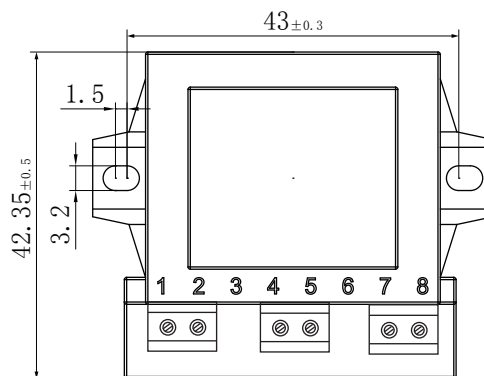
Electrical parameters: (The following parameters are typical values and actual values will be subject to product testing)

Rated input	5	A
Maximum input	6	A
Rated output	0.1	A
Turns ratio	1:50	
Precision grade	1	%
linearity	≤ 0.5	%
Phase shift	30'	
sample resistance max	30	Ω
Weight	20	g

Dimensions: (in:mm)



Front view



TOP view

Schematic Diagram:

