

TA1050 Through core type precision current transformer

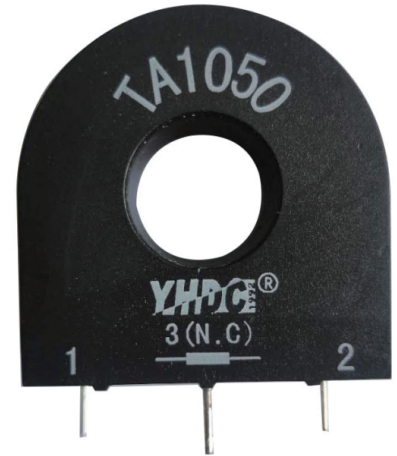


Characteristics:

Epoxy resin encapsulated, mini outline size, fully enclosed, beautiful appearance.

Technical index:

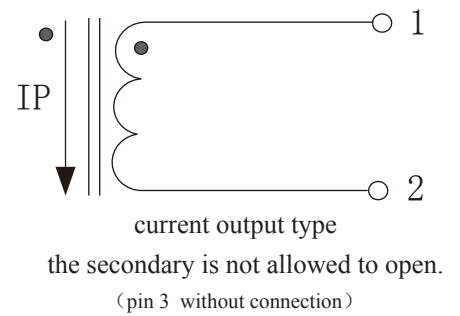
- Mounting type: PCB
- Material of the core: Nanocrystalline
- Flame resistance: UL94-V0
- Execution standard: GB20840-2014
- Operating temperature: $-35^{\circ}\text{C} \sim +85^{\circ}\text{C}$
- Storage temperature: $-45^{\circ}\text{C} \sim +95^{\circ}\text{C}$
- Frequency range: 20Hz-20KHz
- Dielectric strength: $\geq 3.5\text{KV}$ 50Hz 1min



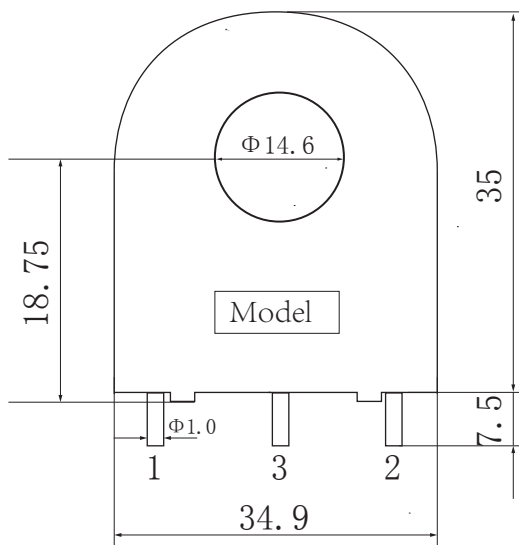
Electrical parameters: (The following parameters are typical values and actual values will be subject to product testing)

Model	TA1050		Unit
Rated input	40	50	A
Rated output	40	50	mA
Turns ratio	1: 1000		
Linearity	≤ 0.3		%
Sampling resistance	100		Ω
Weight	37		g

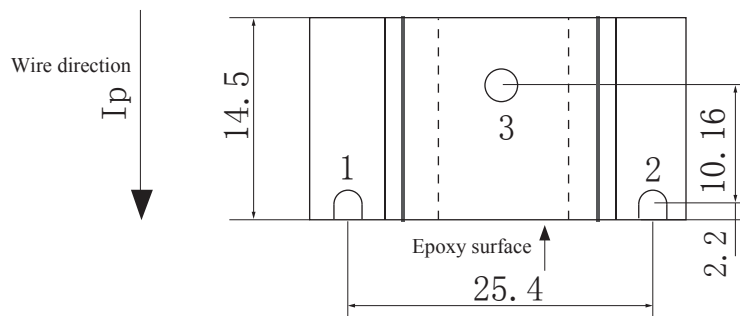
Schematic diagram:



Dimensions (in mm ± 0.5):



Front view



Bottom view