

### Characteristics:

Epoxy resin encapsulated, small outline size,  
fully enclosed, beautiful appearance.

### Technical index:

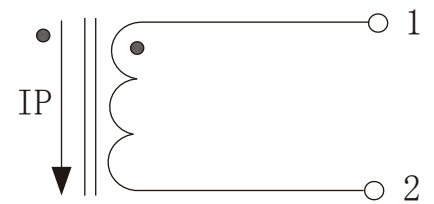
- Mounting type: PCB
- Material of the core: Nanocrystalline
- Flame resistance: UL94-V0
- Execution standard: GB20840-2014
- Operating temperature:  $-35^{\circ}\text{C} \sim +85^{\circ}\text{C}$
- Storage temperature:  $-45^{\circ}\text{C} \sim +95^{\circ}\text{C}$
- Frequency range: 50Hz-60Hz
- Dielectric strength:  $\geq 3.5\text{KV}$  50Hz 1min



**Electrical parameters:** (The following parameters are typical values and actual values will be subject to product testing)

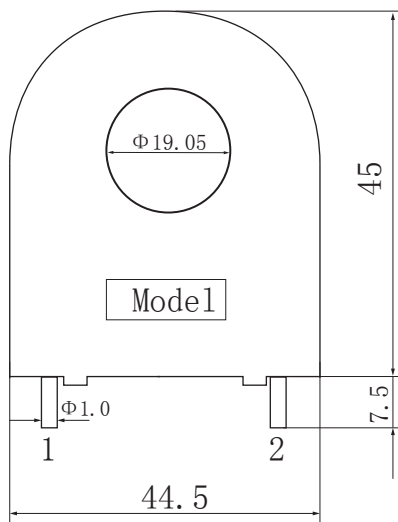
Model	TA1100	Unit
Rated input	100	A
Rated output	100	mA
Turns ratio	1: 1000	
Linearity	$\leq 0.5$	%
Sampling resistance	100	$\Omega$
Weight	67	g

### Schematic diagram:

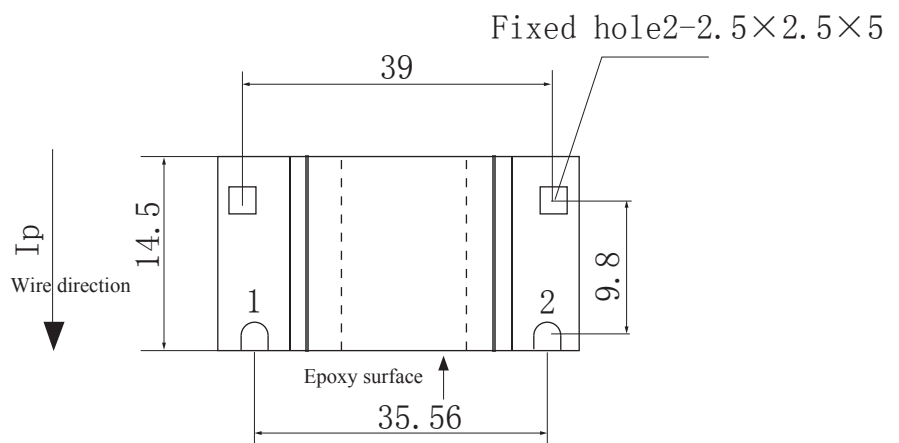


Current output type  
Secondary is not allowed to open circuit

### Dimensions (in mm $\pm 0.5$ ):



Front view



Bottom view