

Characteristics:

Epoxy resin encapsulated, nanocrystalline core, mini outline size, fully enclosed, electrical load remote monitoring, as the input signal of electric control system, lack of phase indicating, electrical energy measuring and motor monitoring.

Technical index:

- Mounting type: PCB
- Material of the core: Nanocrystalline
- Flame resistance: UL94-V0
- Execution standard: GB20840-2014
- Operating temperature: $-20^{\circ}\text{C} \sim +70^{\circ}\text{C}$
- Storage temperature: $-30^{\circ}\text{C} \sim +80^{\circ}\text{C}$
- Frequency range: 20Hz-20KHz
- Dielectric strength: 3.5KV 50Hz 1min

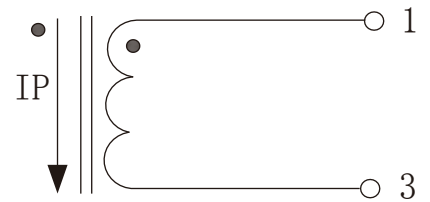
Product picture : (the printed words are for reference only, subject to the actual product)



Electrical parameters: (The following parameters are typical values and actual values will be subject to product testing)

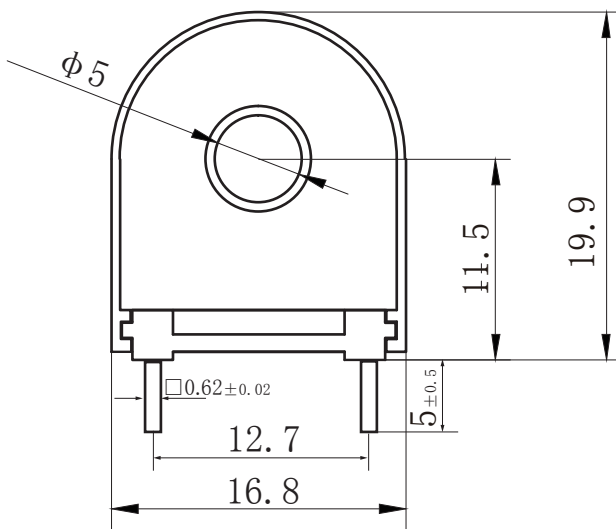
Model	TA12-100	TA12-200	Unit
Rated input	5	5	A
Rated output	5	2.5	mA
Turns ratio	1: 1000	1: 2000	
Linearity	≤ 0.3	≤ 0.2	%
Sampling resistance	200	800	Ω
Weight	6	6	g

Schematic diagram:

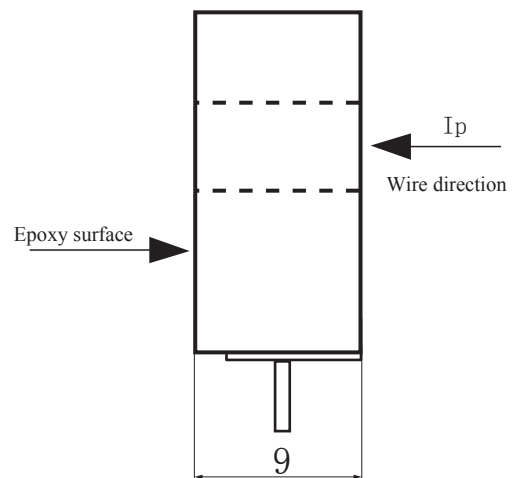


Current output type
Secondary is not allowed to open

Dimensions (in mm ± 0.5):



Front view



Side view