

Model:TA12W-200

Characteristics:

Epoxy resin encapsulated, Lie the welding installation ,
Nanocrystalline core, mini outline size.

Technical index:

Mounting type: Suspended mounting

Material of the core: Nanocrystalline

Flame resistance: UL94-V0

Execution standard: GB1208-2006

Operating temperature: $-20^{\circ}\text{C} \sim +75^{\circ}\text{C}$

Storage temperature: $-30^{\circ}\text{C} \sim +80^{\circ}\text{C}$

Frequency range: 20Hz-20KHz

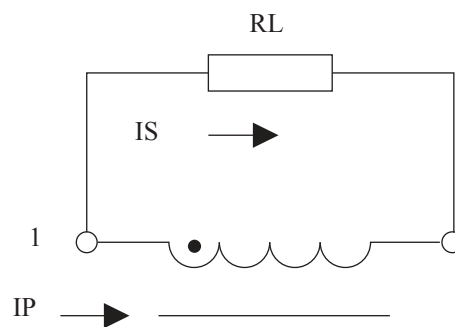
Dielectric strength: $\geq 3.5\text{KV}$ 50Hz 1min



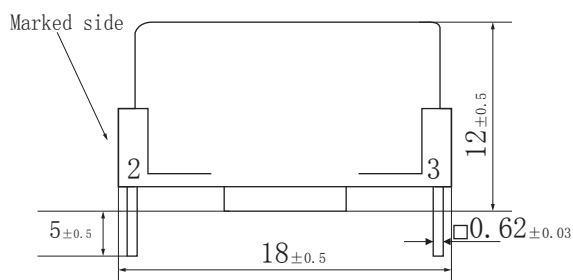
Electrical parameters:

Rated input	0-5	A
Max.input	7	A
Rated output	0-2.5	mA
Turns ratio	1: 2000	
Accuracy		%
Linearity	≤ 0.2	%
Phase difference		
max: Max. sampling resistance	800	Ω
Weight	6	g

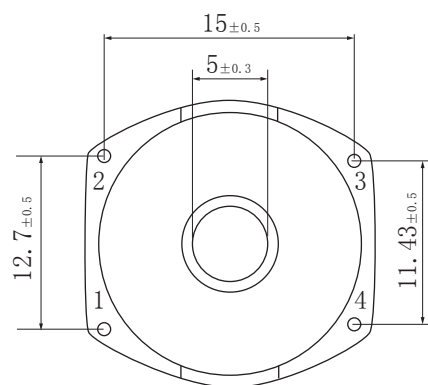
Schematic diagram:



Dimensions (in mm) :



Front view



Side view