

# TA2035FL Through core type precision current transformer **YHDC** 1992<sup>®</sup>

## Characteristics:

Epoxy potting, iron core, fully closed, remote monitoring of electrical load, as the input signal of the electronic control system, phase loss indication, electric quantity measurement, motor running state monitoring.

## Technical index:

Mounting type: Plate installation  
 Material of the core: Silicon steel sheet  
 Flame resistance: UL94-V0  
 Execution standard: GB20840-2014  
 Operating temperature: -20°C ~ +70°C  
 Storage temperature: -30°C ~ +80°C  
 Frequency range: 50Hz-60Hz  
 Dielectric strength: 3.5KV 50Hz 1min

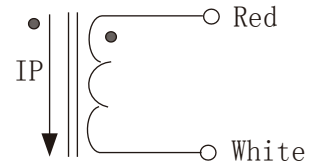
Product picture : (the printed words are for reference only, subject to the actual product)



**Electrical parameters:** ( The following parameters are typical values and actual values will be subject to product testing )

Model	TA2035FL-100	TA2035FL-200	TA2035FL-300	Unit
Rated input	400	500	600	A
Rated output	400	250	200	mA
Turns ratio	1: 1000	1: 2000	1: 3000	
Linearity	≤0.5	≤0.5	≤0.5	%
Sampling resistance	50	100	150	Ω
Weight	396			g

## Schematic diagram:



current output type.

the secondary is not allowed to open.

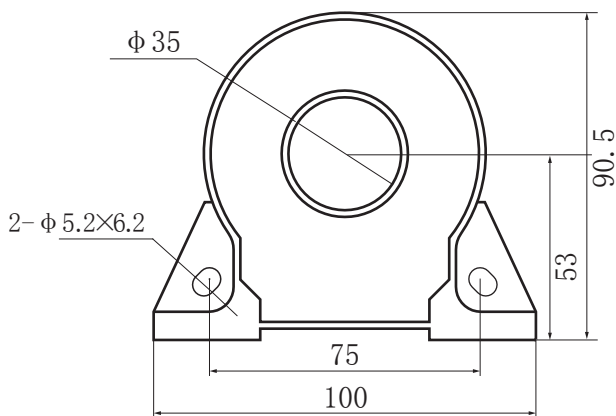
## Specifications of lead wire/color/length:

Specifications of lead wire: 0.3mm<sup>2</sup> Red and white soft wire

color of lead wire: Red, White

length of lead wire: 40cm (40~42cm)

## Dimensions ( in mm ± 0.5 ) :



## Wire direction

Print surface ← Epoxy surface

