

TA3212W Through core type precision current transformer **YHDC** 1992[®]

Characteristics:

Epoxy potting, Nanocrystalline core, horizontal installation, fully enclosed, remote monitoring of electrical load, as the input signal of the electronic control system, phase loss indication, electric quantity measurement, motor running state monitoring.

Technical index:

Mounting type: PCB

Material of the core: Nanocrystalline

Flame resistance: UL94-V0

Execution standard: GB20840-2014

Operating temperature: -20°C~+70°C

Storage temperature: -30°C~+80°C

Frequency range: 20Hz-20KHz

Dielectric strength: 3.5KV 50Hz 1min

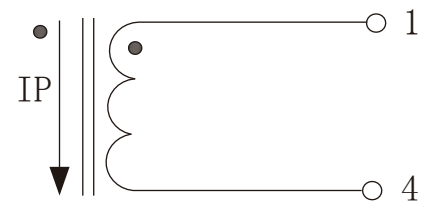
Product picture : (the printed words are for reference only, subject to the actual product)



Electrical parameters: (The following parameters are typical values and actual values will be subject to product testing)

Model	TA3212W -100	TA3212W -200	TA3212W -300	Unit
Rated input	10	20	30	A
Rated output	10	10	10	mA
Turns ratio	1 : 1000	1 : 2000	1 : 3000	
Linearity	≤ 0.3	≤ 0.2	≤ 0.2	%
Sampling resistance	100	200	400	Ω
Weight	40	40	40	g

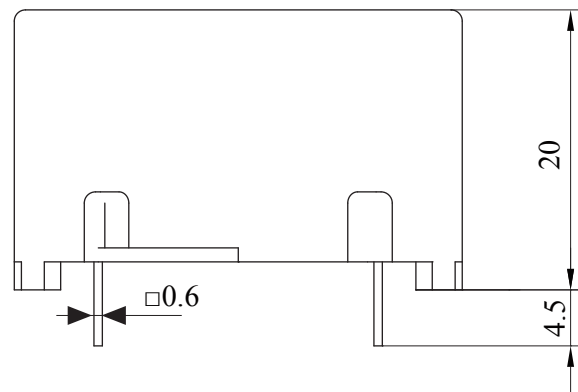
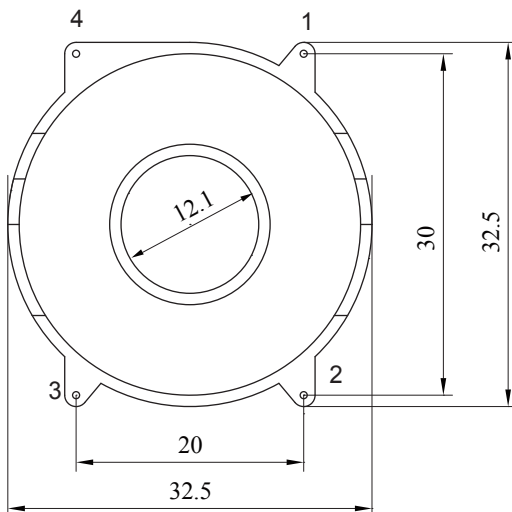
Schematic diagram:



current output type.

the secondary is not allowed to open.

Dimensions (in mm ± 0.5) :



(2.3 Empty feet)