

Characteristics:

Suspended mounting, strong overload capacity. Electronic and power equipment current monitoring, electronic control system current signal input, phase-out monitoring, monitoring the working state of the motor.

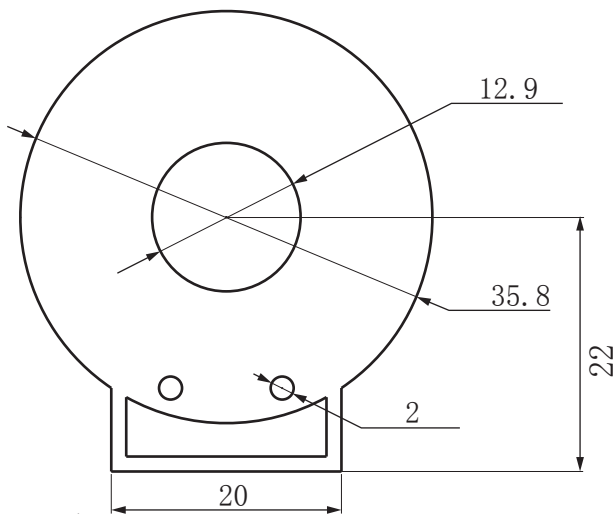
Technical index:

- Mounting type: Suspended
- Material of the core: Nanocrystalline
- Flame resistance: UL94-V0
- Execution standard: GB20840-2014
- Operating temperature: $-20^{\circ}\text{C} \sim +70^{\circ}\text{C}$
- Storage temperature: $-30^{\circ}\text{C} \sim +80^{\circ}\text{C}$
- Frequency range: 20HZ-20KHz
- Dielectric strength: 5KV 50Hz 1min

Electrical parameters:

Model	TA8414L-100	TA8414L-200	TA8414L-300	Unit
Rated input	100	100	100	A
Rated output	100	50	33.3	mA
Turns ratio	1: 1000	1: 2000	1: 3000	
Linearity	≤ 0.1	≤ 0.1	≤ 0.1	%
Sampling resistance	10	20	30	Ω
Weight	43	43	43	g

Dimensions (in mm ± 0.5):

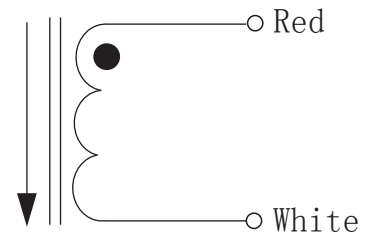


Front view

Product picture :(the printed words are for reference only, subject to the actual product)



Schematic diagram:



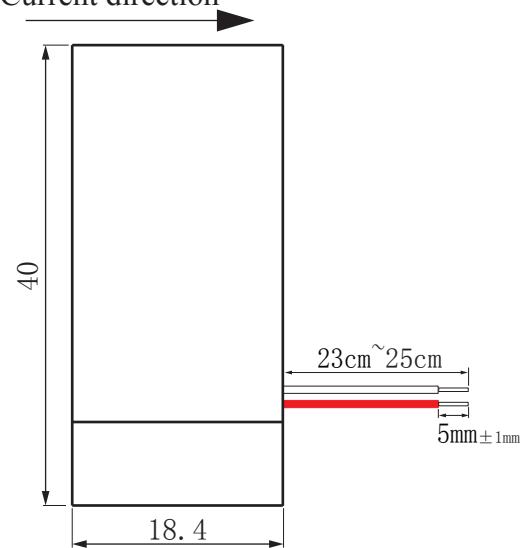
Specifications of lead wire:

0.3 mm² red and white soft line

The length of lead wire: 23cm~25cm

Color of lead wire: red, white

Current direction



Side view

