

### Characteristics:

Suspended mounting, high overload capacity. Electronics, electric power equipment current monitoring. Electric control system of current signal input. Phase loss monitoring. Monitoring the motor working condition.

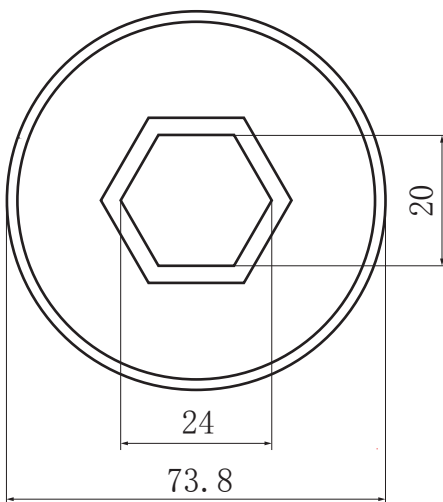
### Technical index:

Suspended mounting, output with cable  
 Material of the core: Silicon steel sheet  
 Flame resistance: UL94-V0  
 Execution standard: GB20840-2014  
 Operating temperature: -20°C ~ +70°C  
 Storage temperature: -30°C ~ +80°C  
 Frequency range: 50HZ-60Hz  
 Dielectric strength: 6KV 50Hz 1min

### Electrical parameters:

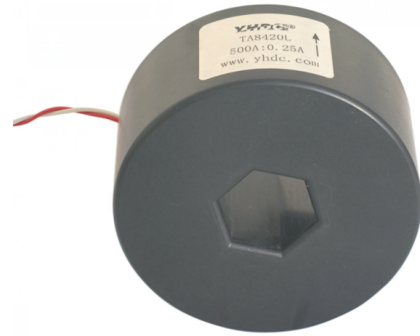
Model	TA8420L				unit
Rated input	300	500	600	800	A
Rated output	0.3	0.25	0.2	0.2	A
Turns ratio	1:1000	1:2000	1:3000	1:4000	
Linearity	≤0.5	≤0.5	≤0.5	≤0.5	%
sampling resistance	100	100	50	100	Ω
Weight	422	422	422	422	g

### Dimensions (in mm±0.5) :

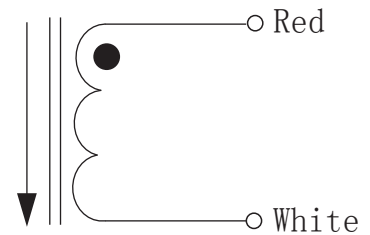


Front view

Product picture :(the printed words are for reference only, subject to the actual product)



### Schematic diagram:



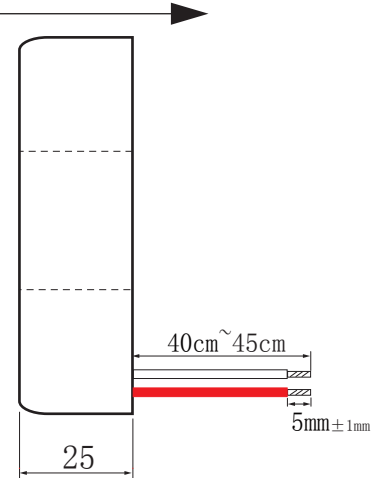
Specifications of lead wire:

0.3 mm<sup>2</sup> red and white soft line

The length of lead wire: 40cm ~ 45cm

Color of lead wire: Red, White

Current direction



Side view