

Model: TAK10

Applications: Switching power supply, lighting, switching control.

Technical index:

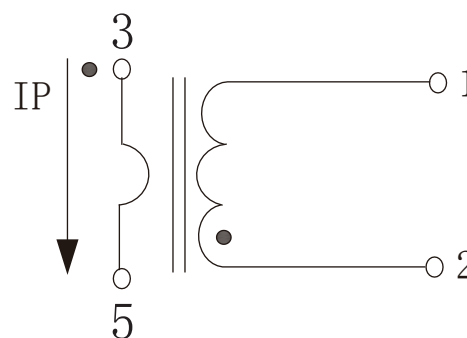
- Mounting type: PCB
- Material of the core: Ferrite
- Flame resistance: UL94-V0
- Execution standard: GB1208-2006
- Operating temperature: -20°C ~ +70°C
- Storage temperature: -30°C ~ +80°C
- Frequency range: 2KHz-500KHz
- Dielectric strength: 3.5KV 50Hz 1min



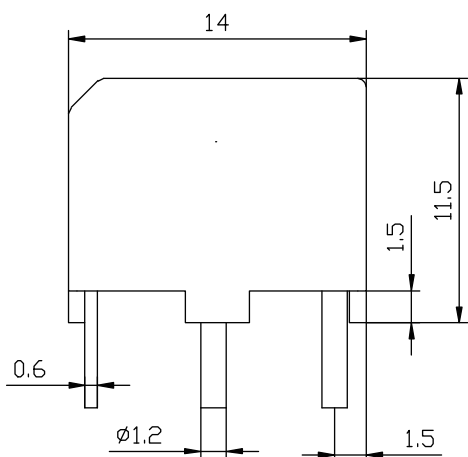
Schematic Diagram:

Electrical parameters:

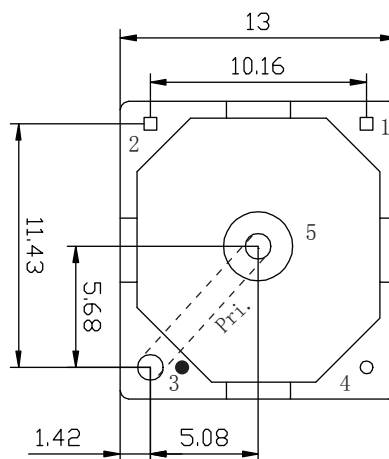
Model	TAK10-50	TAK10-100	TAK10-200
Change ratio	1: 50	1: 100	1: 200
Rated input	10A	10A	10A
Rated output	200mA	100mA	50mA
Sampling resistance	Select according to the voltage value		
Weight	4g		



Dimensions (in mm±0.5) :



Front view



Bottom view

The statement:

As our products have been continuously improved and updated, we reserve the right to modify the content of this specification at any time.