

# TAK12 Mini high frequency current transformer (new shell)

## Characteristics:

High frequency pulse current detection, switching power supply circuit protection.

## Technical index:

Mounting type: PCB

Material of the core: Ferrite

Flame resistance: UL94-V0

Execution standard: GB1208-2006

Operating temperature:  $-20^{\circ}\text{C} \sim +70^{\circ}\text{C}$

Storage temperature:  $-30^{\circ}\text{C} \sim +80^{\circ}\text{C}$

Frequency range: 2KHz-500KHz

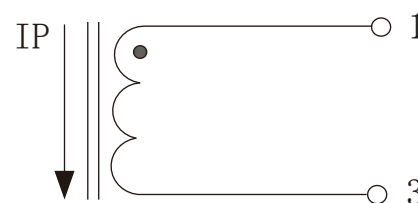
Dielectric strength: 3.5KV 50Hz 1min



## Electrical parameters: (The following parameters are typical values and actual values will be subject to product testing)

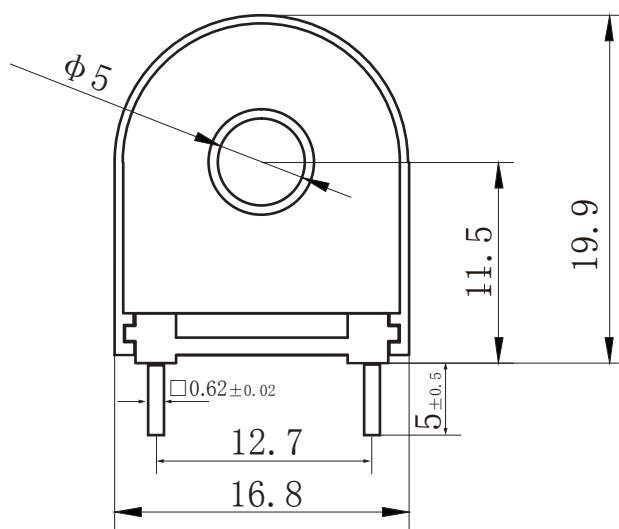
Model	TAK12-005	TAK12-01	TAK12-02	TAK12-03	TAK12-04	TAK12-05	Unit
Rated input	20	20	20	20	20	20	A
Rated output	400	200	100	67	50	40	mA
Turns ratio	1:50	1:100	1:200	1:300	1:400	1:500	turn
Sampling resistance	Select according to the voltage value						$\Omega$
Weight	6						g

## Schematic diagram:

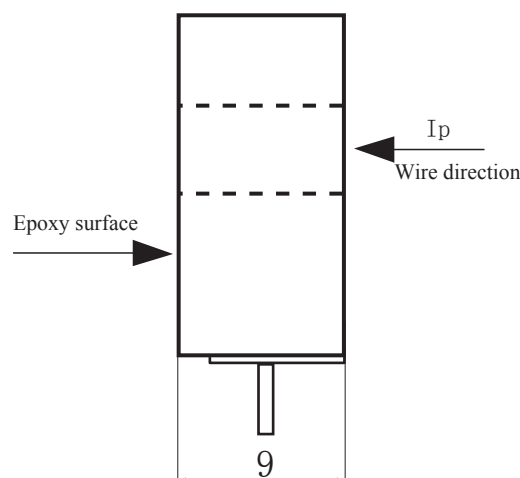


Current output type  
Secondary is not allowed to open

## Dimensions (in mm $\pm 0.5$ ):



Front view



Side view