

# TAK17 Mini high frequency current transformer



## Characteristics:

High frequency pulse current detection, switching power supply circuit protection.

## Technical index:

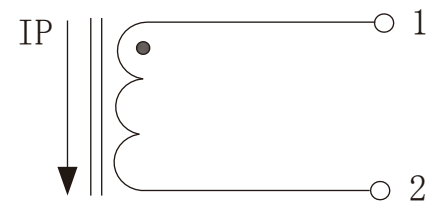
- Mounting type: PCB
- Material of core: Ferrite
- Flame resistance: UL94-V0
- Execution standard: GB1208-2006
- Operating temperature:  $-20^{\circ}\text{C} \sim +70^{\circ}\text{C}$
- Storage temperature:  $-30^{\circ}\text{C} \sim +80^{\circ}\text{C}$
- Frequency range: 2KHz-500KHz
- Dielectric strength: 3.5KV 50Hz 1min



## Electrical parameters: (The following parameters are typical values and actual values will be subject to product testing)

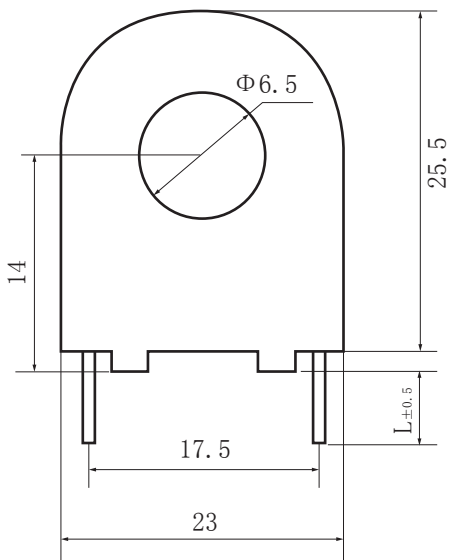
Model	TAK17-005	TAK17-01	TAK17-02	TAK17-03	TAK17-04	TAK17-05	Unit
Rated input	10	24	35	48	35	50	A
Rated output	200	240	175	160	87.5	100	mA
Turns ratio	1:50	1:100	1:200	1:300	1:400	1:500	turn
Sampling resistance	Select according to the voltage value						$\Omega$
Weight	16						g

## Schematic diagram:



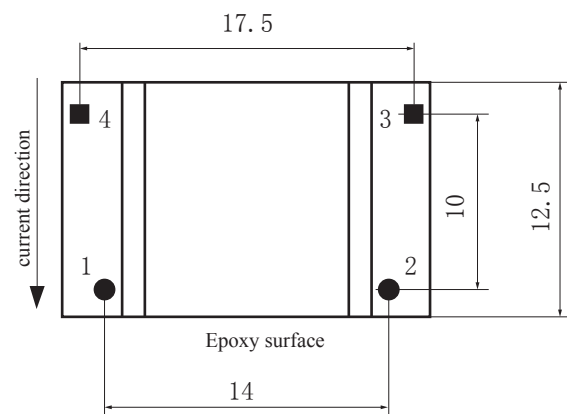
pin 3 and pin 4 are empty  
Current output type the secondary is not allowed to open

## Dimensions (in mm $\pm 0.5$ ):



Front view

Pin	Specification	Needle length L
1, 2	$\Phi 0.82 \pm 0.02$	$8 \pm 0.5$
3, 4	$\square 0.62 \pm 0.02$	$6 \pm 0.5$



(pin 3 and pin 4 are empty)

Bottom view