

TA3523FT Multi-range current transformer



Characteristics:

Four levels of current optional, easy to use, with a mounting foot, easy to fix. Used for electronic load circuit monitoring, electric control system current signal input, phase loss monitoring, monitoring motor working state.

Technical index:

- Mounting type: Plate installation
- Material of the core: Nanocrystalline
- Flame resistance: UL94-V0
- Execution standard: GB20840-2014
- Operating temperature: $-20^{\circ}\text{C} \sim +70^{\circ}\text{C}$
- Storage temperature: $-30^{\circ}\text{C} \sim +80^{\circ}\text{C}$
- Frequency range: 20Hz-20KHz
- Dielectric strength: 3.5KV 50Hz 1min

Product picture : (the printed words are for reference only, subject to the actual product)

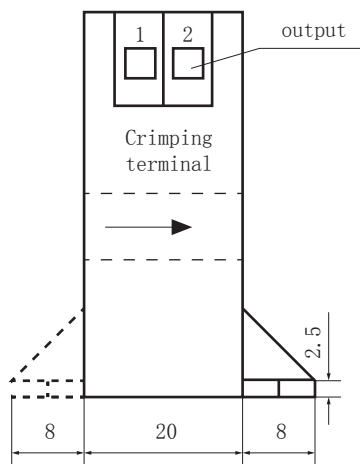
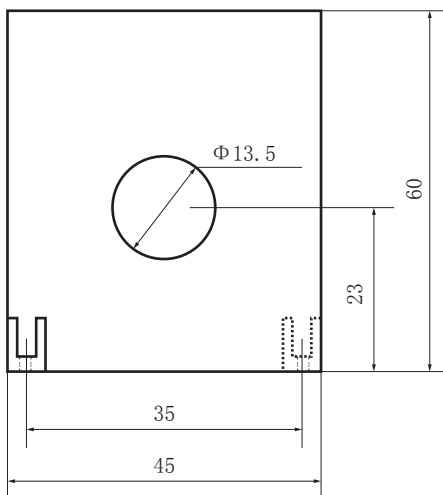


Electrical parameters: (The following parameters are typical values and actual values will be subject to product testing)

Model	TA3523FT	Unit
Rated input	10 / 30 / 50 / 70	A
Rated output	2.2	V
Turns ratio	1 : 1750	
accuracy	1	%
Weight	92	g

short circuit methods	Input current	output voltage
	10A	2.2V
	30A	2.2V
	50A	2.2V
	70A	2.2V

Dimensions (in mm ± 0.5) :



Schematic diagram:

