

Mini current type voltage transformer

Model: TV16Z

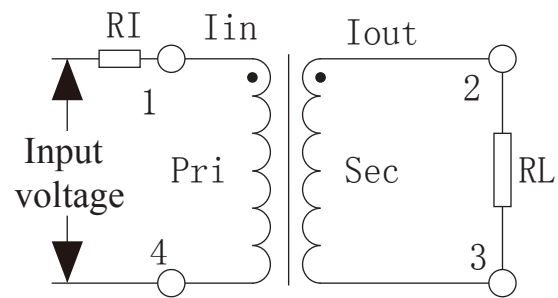
Characteristics: TV16Z is current type voltage transformer, using ultracrystalline core. Primary current will be different according to different voltage working on the current-limiting resistance. And there will be a same current at secondary as primary.



Technical index:

- Mounting type: PCB mounting
- Material of the core: Nanocrystalline
- Flame resistance: UL94-V0
- Complaint with: GB1208-2006
- Operating temperature: -20 °C ~ +70 °C
- Storage temperature: -30 °C ~ +80 °C
- Frequency range: 20Hz-20KHz
- Dielectric strength: 3.5KV 50Hz 1min

Schematic diagram:

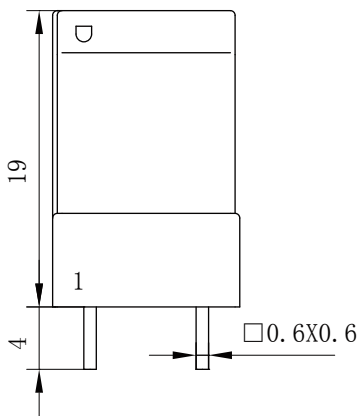


RI: Current limiting resistance
 RL: Sampling resistance

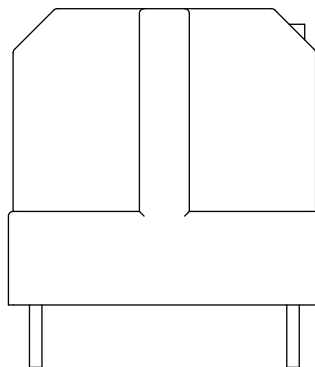
Electrical parameters:

Rated input	2	mA
Rated output	2	mA
Turns	1000: 1000	
Linearity	0.2	%
Max. measuring voltage	250	V
Phase error(Reference)	≤30'	
Sampling resistance max	400	Ω
Weight	12.4	g

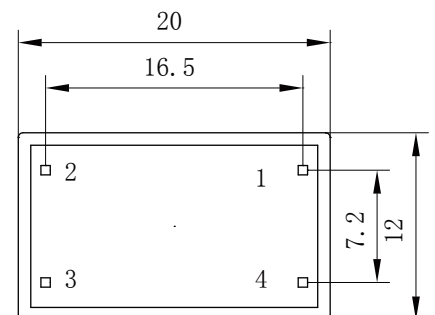
Dimensions (in mm) :



Front view



Side view



Bottom view