

Split core current transmitter

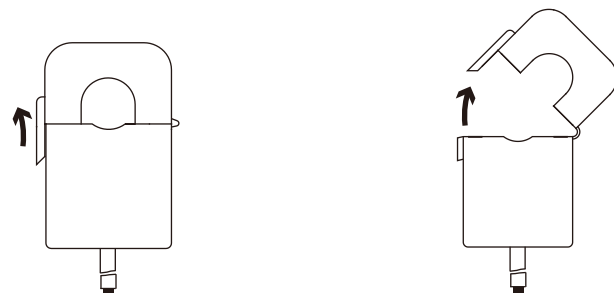
Split core, suspension installation, lead wire output. Detect AC current, high insulation between primary and secondary circuits.



Installation diagram

Product features

- Light weight
- Low power consumption
- Good linearity
- Easy to use
- No insertion loss
- Fast response time
- Good anti-interference ability

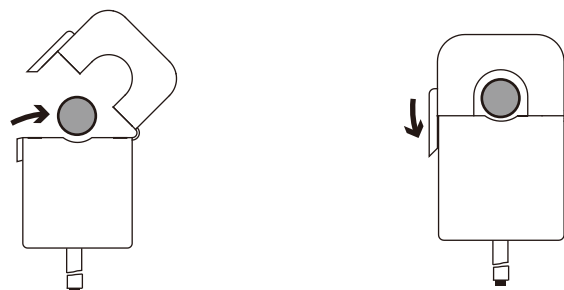


1. Loosen the card buckle

2. Open up

Product application

- Railway
- Metallurgical
- Welding machine
- Electrical machinery
- Robot
- Inverter power supply
- Variable frequency governor
- Uninterrupted power supply and communication power supply



3. Put in wire

4. Fasten card buckle

Electrical parameters: (The following parameters are typical values and actual values will be subject to product testing)

Remarks

Rated input	10A	20A	50A	80A	100A	Standard input
Input measurement range	11A	22A	55A	88A	110A	Default is 1.1 times of the rated input
Rated output	0-20mA/4-20mA/0-5V/1-5V/0-10V					Output is one out of five 0-10V output choose supply voltage +24V
Accuracy	0.5%					
Linearity	0.5%					
Supply voltage ($\pm 5\%$)	+12V/+24V					Supply voltage range $\pm 5\%$
Current consumption	$\leq 35\text{mA}$					Reference will be subject to the measured
Load impedance	Current type output: 250 Ω (Typification)		Voltage type output: $\geq 10\text{K}\Omega$			
Zero offset voltage	Current type output: $\pm 0.08\text{mA}$		Voltage type output: $\pm 15\text{mV}$			TA=25 °C
Response time	$\leq 200\text{ms}$					Reference will be subject to the measured
Weight	73g					Reference will be subject to the measured
Operating temperature	-10 ~ +70 °C					
Storage temperature	-25 ~ +70 °C					
Band width	25~1KHz					
Dielectric strength	2.5KV 50Hz 1min					

Instruction for use:

1. Connect the wires correctly according to the marked connection mode.
2. The response time and following speed are the best when the full hole is measured.
3. Faulty wiring will lead to product damage and output uncertainty

Safe operation:

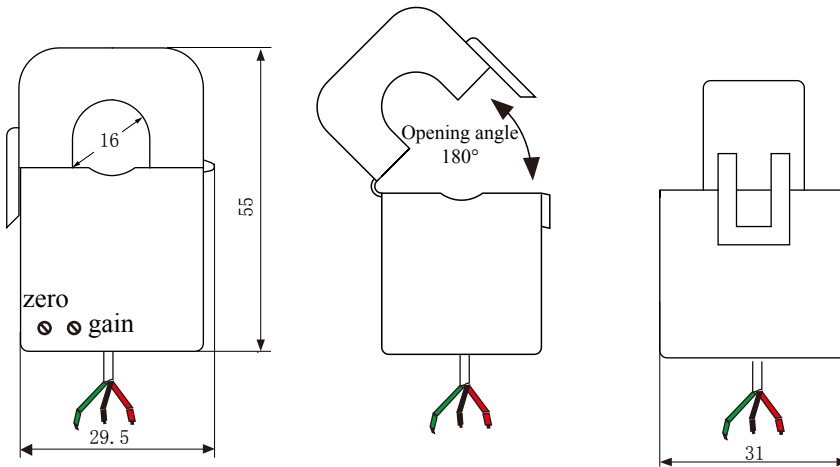
- * Please read this specification carefully before using the product.
- * When you need to replace the product, please be sure to power off and unplug all connected parts.
- * If you found any damage to the shell, power cord, connection cable, or connected device, please disconnect the device from the power supply immediately.
- * If there is any doubt about the safe operation of the equipment, the equipment and the corresponding accessories should be closed immediately and investigated as soon as possible.

Proclamations:

As our products are constantly being improved and updated, we reserve the right to modify the content of this specification at any time without prior notice.

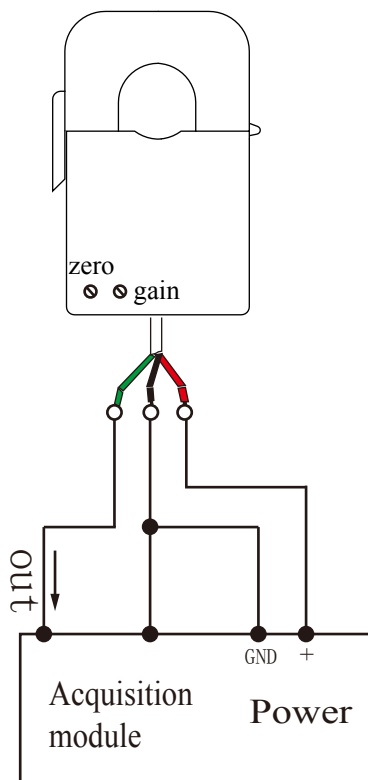
Dimensions(in mm±0.5) :

Cable:



Cable specification:
0.2mm² three core shielding wire
Color: Red, Black, Green
Length: 50cm

Wiring diagram:



Cable definition:

Red: +V
Black: GND
Green: Output

- ※① The auxiliary power supply with ripple small ($\leq 20\text{mV}$) is selected
- ② Switch on auxiliary power
- ③ Auxiliary power is connected to the transmitter
- ④ Transmitter detects the primary current