

Hall split core current transducer

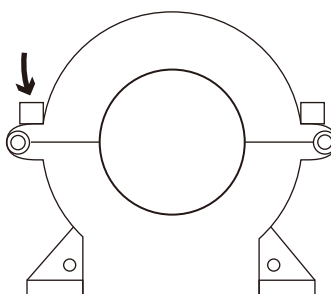
Sub-plate mount, terminal output. Detect DC current. High insulation between primary and secondary circuits.



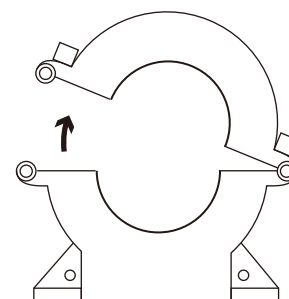
Product features

- Light weight
- Low power consumption
- Good linearity
- No insertion loss
- Fast response time
- Good anti-interference ability

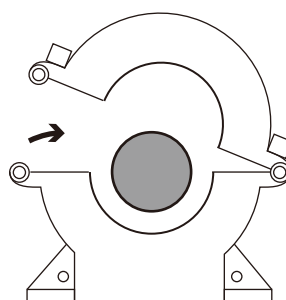
Installation diagram



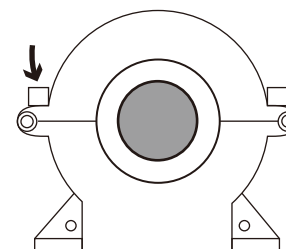
1. Loosen the screw



2. Open up



3. In the lead



4. Tighten the screws

Product application

- Railway
- Metallurgical
- Welding machine
- Robot
- Motor
- Inverter power supply
- Variable frequency governor
- Uninterrupted power supply and communication power supply

Electrical parameters: (The following parameters are typical values and actual values will be subject to product testing)

Remarks

Rated input	300A	500A	600A	800A	1000A	1200A	1500A	Standard input
Input measurement range	360A	600A	720A	960A	1200A	1440A	1800A	Default is 1.2 times the input rating
Rated output	0-20mA/4-20mA/0-5V/1-5V/0-10V							Output one of five 0-10V output +24V power supply
Accuracy	1%							
Linearity	0.5%							
Supply voltage ($\pm 5\%$)	+12V / +24V							Supply voltage range $\pm 5\%$
Current consumption	$\leq 48\text{mA} + I_o$							Reference will be subject to the measured
Load impedance	Current type output: 250 Ω (Typification)			Voltage type output: $\geq 10\text{K}\Omega$				
Zero offset voltage	Current type output: $\pm 0.08\text{mA}$			Voltage type output: $\pm 15\text{mV}$				$T_A = 25^\circ\text{C}$
Response time	$\leq 350\text{ms}$							Reference will be subject to the measured
weight	548g							Reference will be subject to the measured
Operating temperature	$-10 \sim +70^\circ\text{C}$							
Storage temperature	$-25 \sim +70^\circ\text{C}$							
Band width	DC $\sim 400\text{Hz}$							
Delectric strength	3KV 50Hz 1min							

Instruction for use:

1. Connect the wires correctly according to the marked connection mode
2. The direction indicated by an arrow for the positive current direction
3. With hole measurement, response time and following the speed for the best
4. Faulty wiring can lead to product damage and output uncertainty

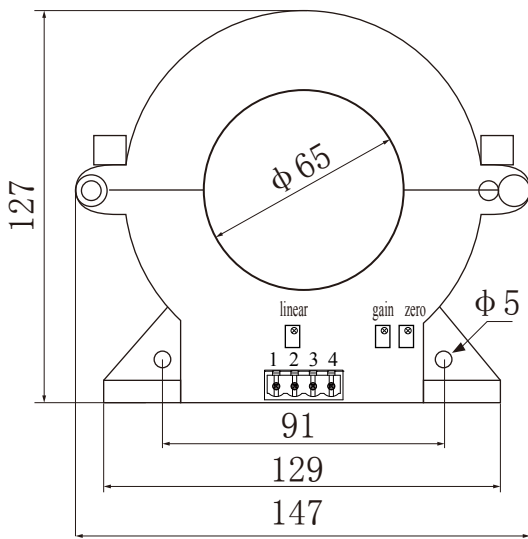
Safe operation:

- *Please read this specification carefully before use.
- *When you need to move the product, please be sure to disconnect the power and all the connected cables.
- *If found shell, devices attached to the fixed parts, wire, or have any damaged, please immediately deal with hidden dangers.
- *If there is any doubt about the safe operation of the equipment, the equipment and the corresponding accessories should be closed immediately, and the fastest time for troubleshooting.

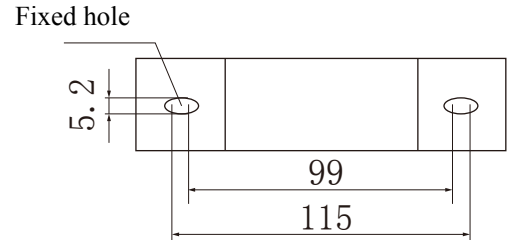
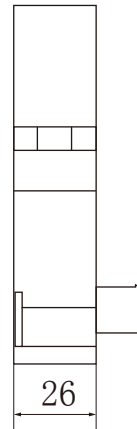
Proclamations:

As our products are constantly being improved and updated, we reserve the right to modify the content of this specification at any time without prior notice.

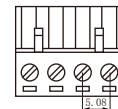
Dimensions(in mm±0.5) :



Current direction
positive ← Epoxy surface

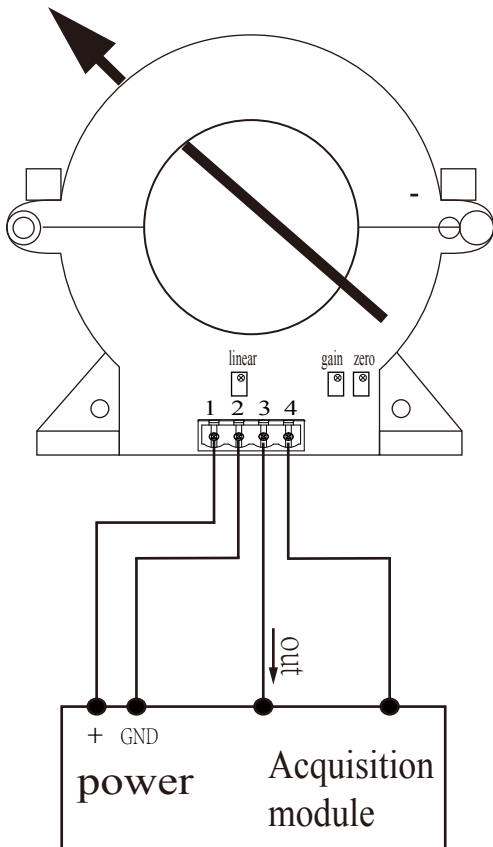


Connector Illustration



Crimping terminal fast plug2EDG-5.08-4p spacing 5.08mm

Wiring diagram:



Terminal definition :

- 1: +V
- 2: GND
- 3: out
- 4: GND

- ※①The auxiliary power supply with ripple small ($\leq 20\text{mV}$) is selected
- ②Switch on auxiliary power
- ③Auxiliary power is connected to the transmitter
- ④Transmitter detects the primary current
- ⑤Both GND internals are not isolated