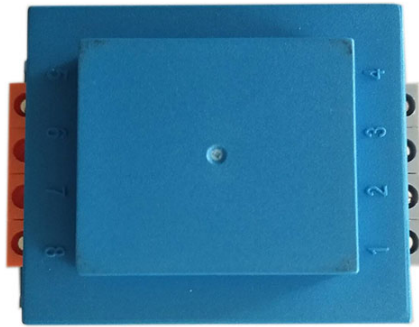


## AC Voltage Transmitter

Sub-plate mount, terminal output. Detect AC current. High insulation between primary and secondary circuits.



Potentiometer: Linear/gain/zero

### Product features

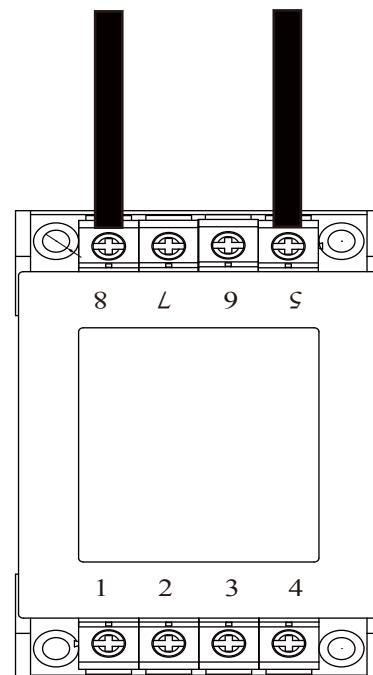
- Light weight
- Low power consumption
- Good linearity
- No insertion loss
- Fast response time
- Good anti-interference ability

### Product application

- Railway
- Metallurgical
- Welding machine
- Robot
- Motor
- Inverter power supply
- Variable frequency governor
- Uninterrupted power supply and communication power supply

### Installation diagram

High side wiring terminal proposal seal after processing



**Electrical parameters:** ( The following parameters are typical values and actual values will be subject to product testing )

**Remarks**

Rated input	500V	800V	1000V	Standard input
Input measurement range	600V	960V	1200V	Default is 1.2 times the input rating
Rated output	0-20mA/4-20mA/0-5V/1-5V/0-10V			Output one of five 0-10V output +24V power supply
Accuracy	1%			
Linearity	0.5%			
Supply voltage ( $\pm 5\%$ )	+12V / +24V			One or the other Supply voltage range $\pm 5\%$
Current consumption	$\leq 35\text{mA}$			Reference will be subject to the measured
Load impedance	Current type output: 250 $\Omega$ (Typification)	Voltage type output: $\geq 10\text{K}\Omega$		
Zero offset voltage	Current type output: $\pm 0.08\text{mA}$	Voltage type output: $\pm 15\text{mV}$		TA=25 °C
Response time	$\leq 350\text{mS}$			Reference will be subject to the measured
weight	397g			Reference will be subject to the measured
Operating temperature	-10 ~ +70 °C			
Storage temperature	-25 ~ +70 °C			
Band width	25Hz~1KHz			
Delectric strength	2.5KV 50Hz 1min			

### Instruction for use:

1. Correct wiring as indicated
2. Full scale measurement, response time and following the speed for the best
3. Faulty wiring can lead to product damage and output uncertainty

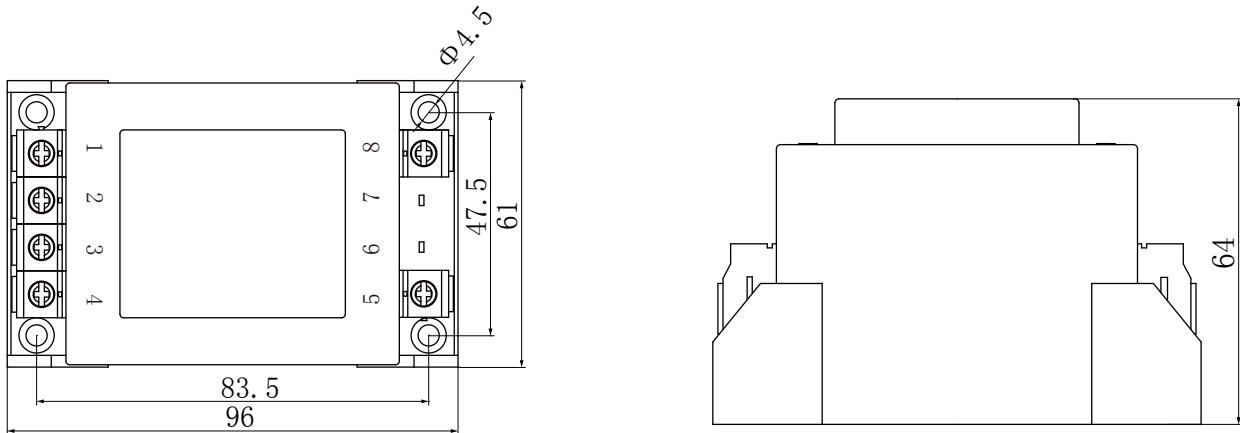
### Safe operation:

- \*Please read this specification carefully before use.
- \*When you need to move the product, please be sure to disconnect the power and all the connected cables.
- \*If found shell, devices attached to the fixed parts, wire, or have any damaged, please immediately deal with hidden dangers.
- \*If there is any doubt about the safe operation of the equipment, the equipment and the corresponding accessories should be closed immediately, and the fastest time for troubleshooting.

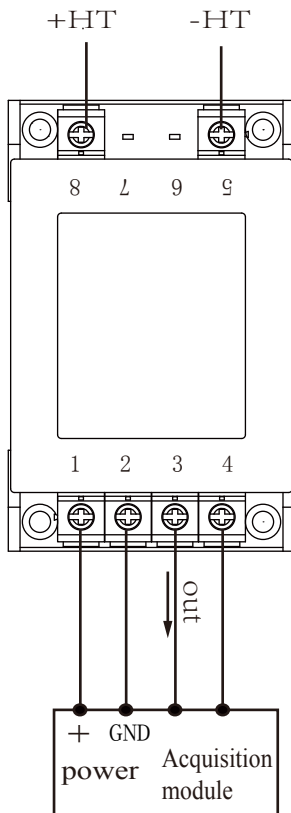
### Proclamations:

As our products are constantly being improved and updated, we reserve the right to modify the content of this specification at any time without prior notice.

Dimensions(in mm±0.5) :



Wiring diagram:



### Terminal definition :

- 1: +V
- 2: GND
- 3: out
- 4: GND
- 5: -HT ( Measured voltage )
- 6: Air terminal
- 8: +HT ( Measured voltage )
- 7: Air terminal

- ※①The auxiliary power supply with ripple small ( $\leq 20\text{mV}$ ) is selected
- ②Switch on auxiliary power
- ③Auxiliary power is connected to the transmitter
- ④Transmitter detects the primary current
- ⑤Both GND internals are not isolated