

## Hall split core current transducer

Sub-plate mounting, terminal output. Detect DC current. High insulation between primary and secondary circuit



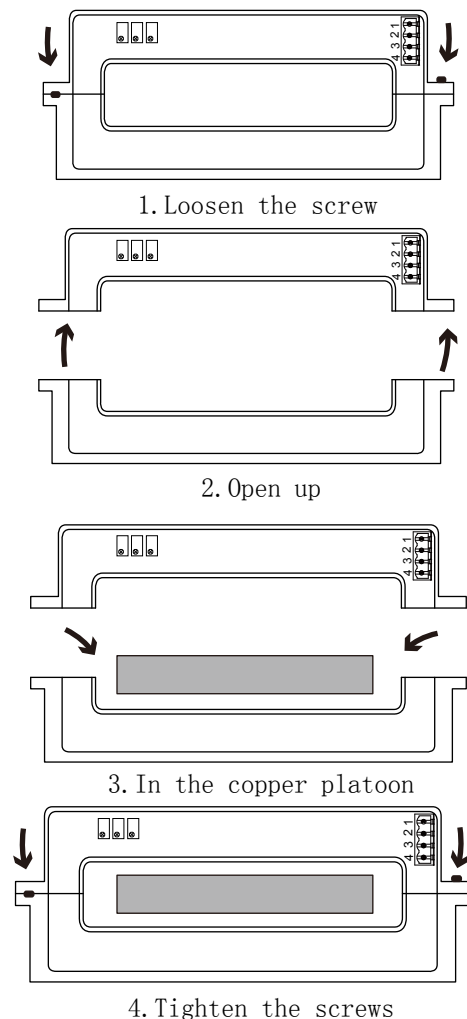
### Installation diagram

#### Product features

- Light weight
- Low power consumption
- Good linearity
- No insertion loss
- Fast response time
- Good anti-interference ability

#### Product application

- Railway
- Metallurgical
- Welding machine
- Robot
- Motor
- Inverter power supply
- Variable frequency governor
- Uninterrupted power supply and communication power supply



**Electrical parameters:** ( The following parameters are typical values and actual values will be subject to product testing )

**Remarks**

Rated input	500A	700A	800A	1000A	1200A	1500A	2000A	Standard input
Input measurement range	600A	840A	960A	1200A	1440A	1800A	2400A	Default is 1.2 times the input rating
Rated output	0-20mA/4-20mA/0-5V/1-5V/0-10V							Output one of five 0-10V output +24V power supply
Accuracy	1%							
Linearity	0.5%							
Supply voltage ( $\pm 5\%$ )	+12V / +24V							Supply voltage range $\pm 5\%$
Current consumption	$\leq 48\text{mA} + I_o$							Reference will be subject to the measured
Load impedance	Current type output: 250 $\Omega$ (Typification)			Voltage type output: $\geq 10\text{K}\Omega$				
Zero offset voltage	Current type output: $\pm 0.08\text{mA}$			Voltage type output: $\pm 15\text{mV}$				TA=25 $^{\circ}\text{C}$
Response time	$\leq 350\text{mS}$							Reference will be subject to the measured
weight	597g							Reference will be subject to the measured
Operating temperature	-10 $\sim$ +70 $^{\circ}\text{C}$							
Storage temperature	-25 $\sim$ +70 $^{\circ}\text{C}$							
Band width	DC $\sim$ 400Hz							
Delectric strength	6KV 50Hz 1min							

### Instruction for use:

- 1.Connect the wires correctly according to the marked connection mode
- 2.With hole measurement, response time and following the speed for the best
- 3.Faulty wiring can lead to product damage and output uncertainty

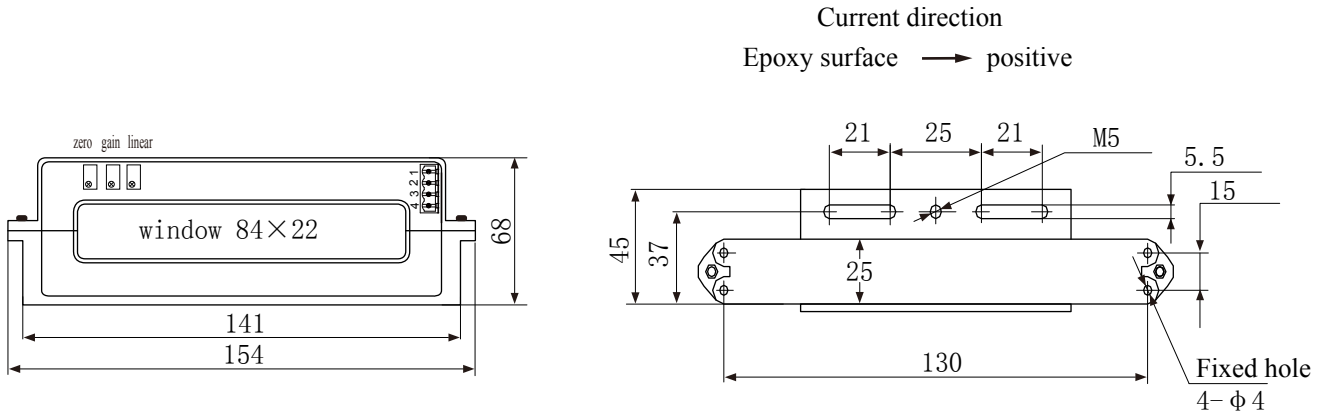
### Safe operation:

- \*Please read this specification carefully before use.
- \*When you need to move the product, please be sure to disconnect the power and all the connected cables.
- \*If found shell, devices attached to the fixed parts, wire, or have any damaged, please immediately deal with hidden dangers.
- \*If there is any doubt about the safe operation of the equipment, the equipment and the corresponding accessories should be closed immediately, and the fastest time for troubleshooting.

### Proclamations:

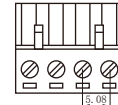
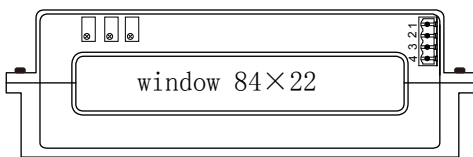
As our products are constantly being improved and updated, we reserve the right to modify the content of this specification at any time without prior notice.

Dimensions(in mm±0.5) :



Connector Illustration

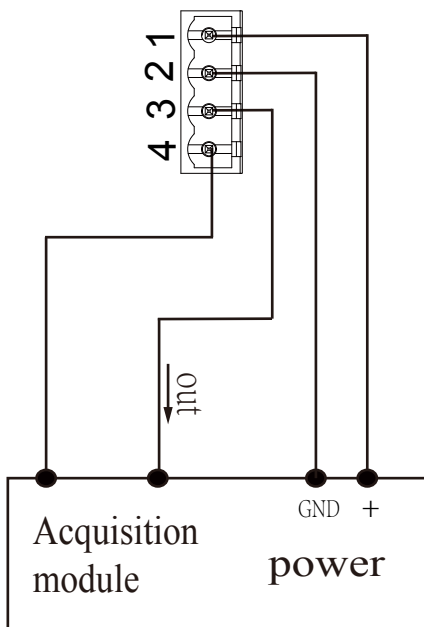
Wiring diagram:



Crimping terminal fast plug2EDG-5.08-4p spacing 5.08mm

Terminal definition :

- 1: +V
- 2: GND
- 3: out
- 4: GND



- ※①The auxiliary power supply with ripple small ( $\leq 20\text{mV}$ ) is selected
- ②Switch on auxiliary power
- ③Auxiliary power is connected to the transmitter
- ④Transmitter detects the primary current
- ⑤Both GND internals are not isolated