

Characteristic:

Safety lock buckle, easy installation, cable output.

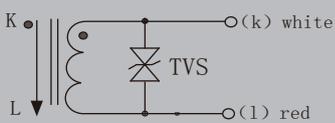
Product picture : (the printed words are for reference only, subject to the actual product)



Technical index:

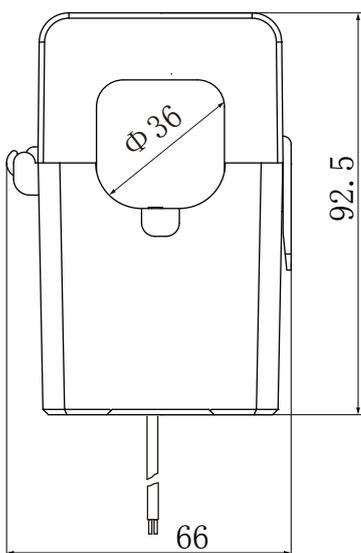
- Mounting type: Free hanging (In-Line)
- Material of core: Laminated Silicon Steel
- Applicable standards: GB20840-2014
- Operating temperature: $-25^{\circ}\text{C} \sim +60^{\circ}\text{C}$
- Storage temperature: $-30^{\circ}\text{C} \sim +90^{\circ}\text{C}$
- Frequency range: 50Hz-1KHz
- Dielectric strength: Input (bare conductor)/Output AC 800V/1min 50Hz
Output/housing AC 3.5KV/1min 50Hz

Electrical parameters: (The following parameters are typical values and actual values will be subject to product testing)

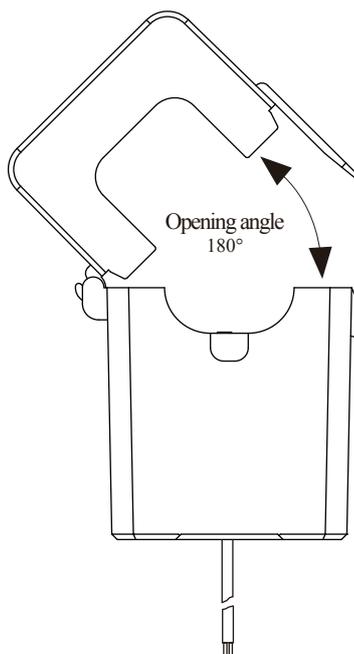
Rated input	100		200		300		400		500		600		A	Specifications of cable: 2 x 0.2mm ² two core sheathed cable The length of cable: 100cm~105cm 
Rated output	50	100	50	100	50	100	50	100	50	100	50	100	mA	
Turns ratio	1:2000	1:1000	1:4000	1:2000	1:6000	1:3000	1:8000	1:4000	1:10000	1:5000	1:12000	1:6000	-	
Sampling resistance	20	10	20	10	20	10	20	10	20	10	20	10	Ω	
Accuracy	1												%	
Weight	330												g	

TVS: Transient Voltage Suppressor (7.5V)
Current output type
Secondary is not allowed to open circuit

Dimensions (in mm ± 0.5):



Front view



Side view

