

Characteristic:

Safety lock clasp, easy installation.
Built-in rectifier, cable output.

Technical index:

Mounting type: Free hanging (In-Line)
Material of core: Laminated silicon steel
Applicable standards: GB20840-2014
Operating temperature: $-25^{\circ}\text{C} \sim +60^{\circ}\text{C}$
Storage temperature: $-30^{\circ}\text{C} \sim +90^{\circ}\text{C}$
Frequency range: 50Hz-1KHz
Dielectric strength: Input (bare conductor)/Output AC 800V/1min 50Hz
Output/housing AC 3.5KV/1min 50Hz

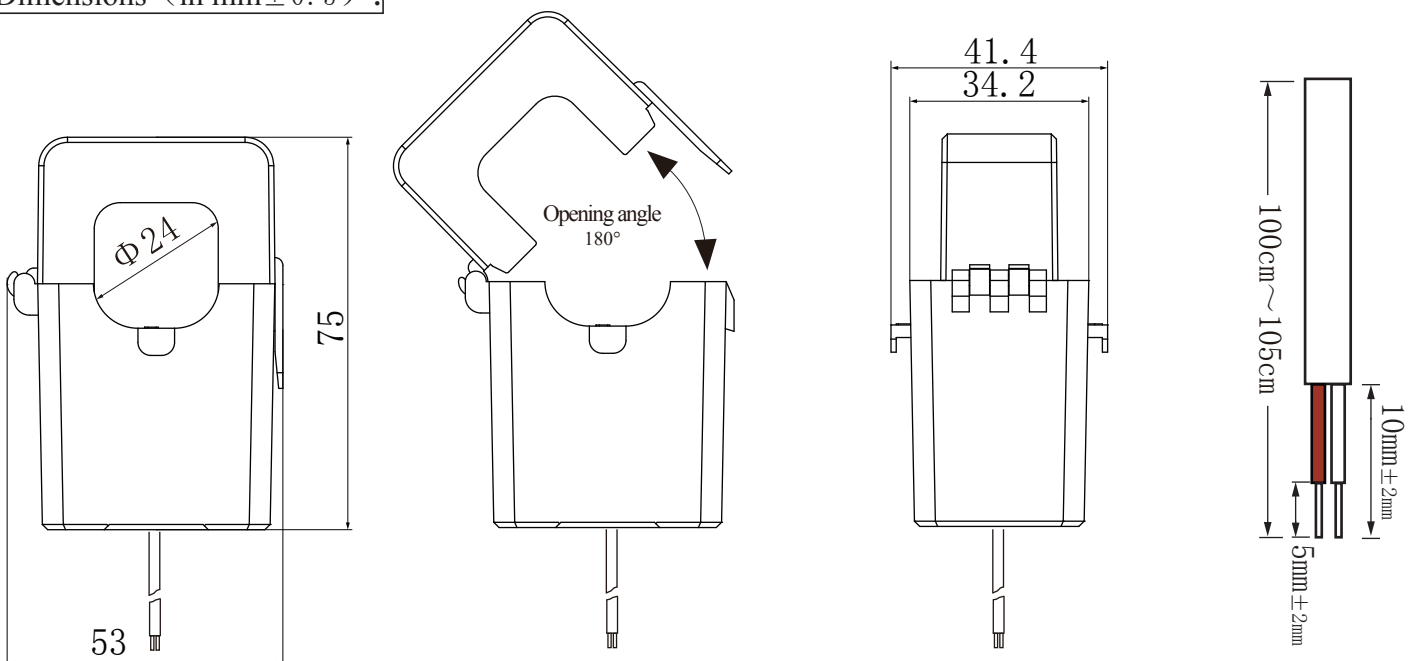
Product picture : (the printed words are for reference only, subject to the actual product)



Electrical parameters: (The following parameters are typical values and actual values will be subject to product testing)

Input current	100	150	200	250	300	A	Specifications of cable: 2 x 0.2mm ² two core sheathed cable The length of cable: 100cm~105cm
Output voltage	1/3/5					V/DC	
Accuracy	2					%	
Weight	226					g	

Dimensions (in mm ± 0.5):



Front view

Side view