

Characteristic:

Safety lock buckle, easy to install.

Product picture printing is for reference only, subject to the actual product

Technical index:

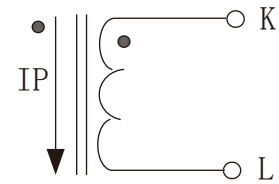
- Mounting type: Free hanging (In-Line)
- Material of core: Laminated silicon steel
- Applicable standards: GB20840-2014
- Operating temperature: -25 °C ~ +60 °C
- Storage temperature: -30 °C ~ +90 °C
- Frequency range: 50Hz-60Hz
- Dielectric strength: 3.5KV 50Hz 1min
- Weight: 480g



Electrical parameters: The following parameters are typical values. The actual values shall be subject to the actual measurement of the product

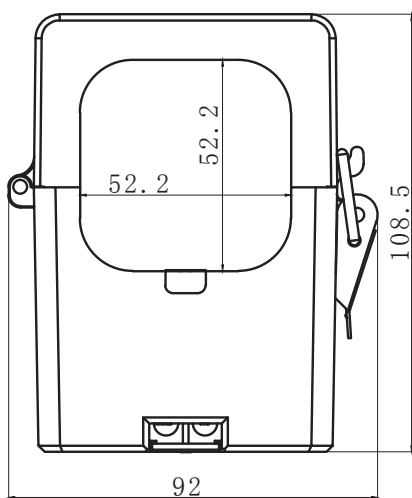
	Input current A	Output current A	Rated output power VA					Number of turns
			0.2Sgrade	0.2grade	0.5Sgrade	0.5grade	1grade	
1A Output	500A	1A	2.5	3.75	5	6.25	10	1
	600A	1A	2.5	3.75	5	6.25	10	1
	800A	1A	5	6.25	6.25	10	12.5	1
	1000A	1A	5	6.25	6.25	10	12.5	1
5A Output	500A	5A	-	5	2.5	7.5	10	1
	600A	5A	-	5	2.5	7.5	10	1
	800A	5A	6.25	10	10	12.5	12.5	1
	1000A	5A	6.25	10	10	12.5	12.5	1

Schematic diagram:

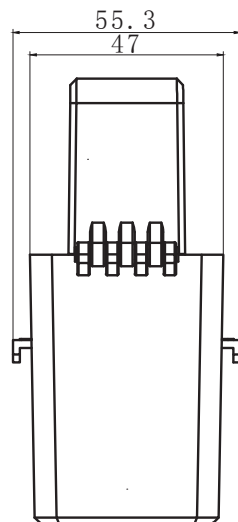


Current output type
Secondary is not allowed to open circuit

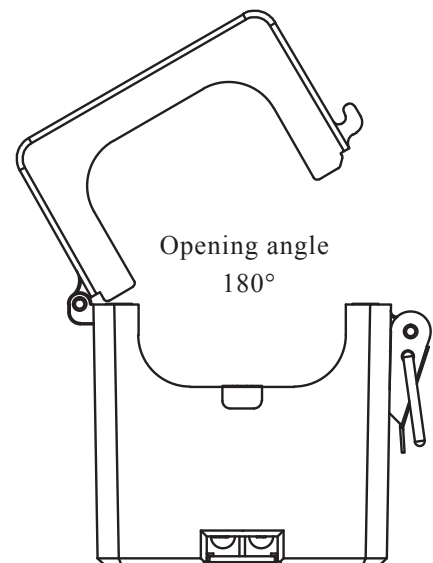
Dimensions(in mm±0.5) :



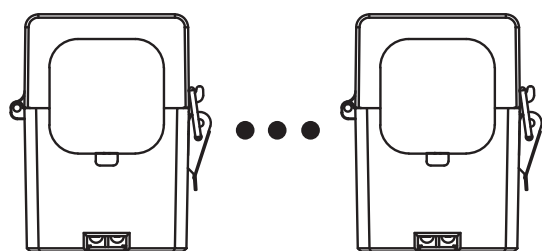
Front view



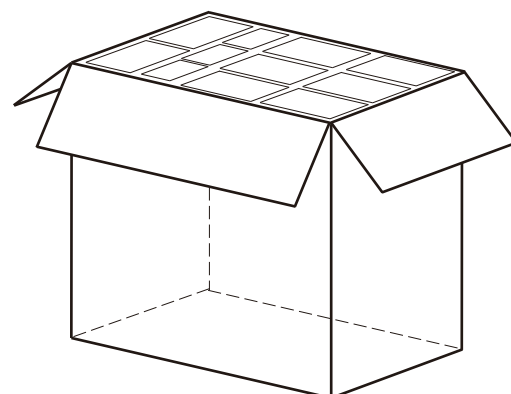
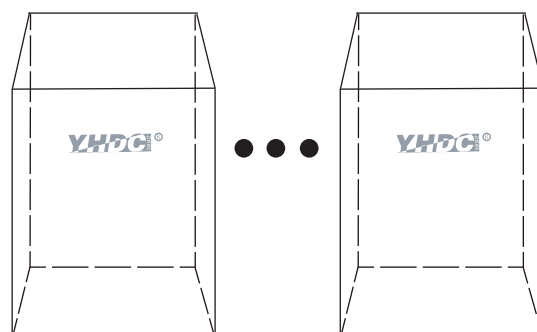
Side view



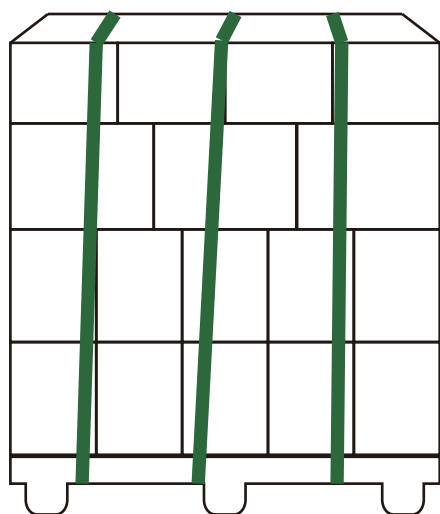
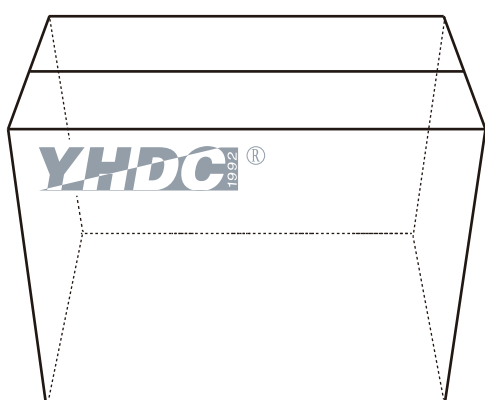
Package



Put the product in the box



Put (22) boxes in the carton



Package	Each one	About 480g	1 pcs
	Each box	About 505g	1 pcs
	Each carton	About 11.6Kg	22 pcs
	Each pallet	About 522.4Kg	968 pcs

Note: The above packaging (large volume) is for reference only, the actual packaging is subject to production and delivery.