

# PU series flat type isolation transformer



Model:PU3910B

### Characteristics:

1. Vacuum epoxy sealing, 100 °C/6 hours high temperature aging, life span of 20 years, high electrical strength
2. High quality Z11 silicon steel sheet, low temperature rise, high efficiency
3. PBT engineering plastic, environmental protection, flame retardant, 120 degrees no deformation
4. Reasonable structure, convenient installation, low noise, strong seismic, sealed waterproof, moisture-proof



### Technical Index:

- Technical Index: PCB
- Flame resistance : UL94-V0
- Insulation class: B
- Operation temperature: -30°C ~ +40°C
- Work frequency: 50Hz~60Hz
- Dielectric strength: Pri./Sec. 4KV 50Hz 1min 5mA, Sec/Sec 500V 50Hz 1min 5mA

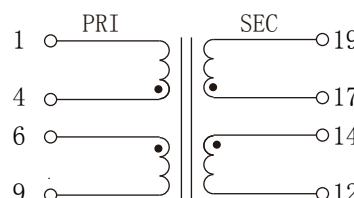
Standard output parameter table :  
(factory full load voltage shall prevail)

Secondary voltage	Secondary no load voltage	Secondary full load current
2 × 6V	2 × 7.6V	2 × 1A
2 × 7.5V	2 × 9.5V	2 × 800mA
2 × 9V	2 × 11.4V	2 × 667mA
2 × 12V	2 × 15.5V	2 × 500mA
2 × 15V	2 × 19.5V	2 × 400mA
2 × 18V	2 × 23V	2 × 333mA
2 × 24V	2 × 31V	2 × 250mA

### Technical Parameters table:

Primary voltage	Double 110	Double 115	unit
Primary voltage range	± 10		%
Power	12		VA
Voltage regulation	≤ 22.5		%
Temperature rising	≤ 25		°C
No load loss	≤ 0.55		W
Weight	280		g

### Schematic Diagram:



### Input/output shorting method

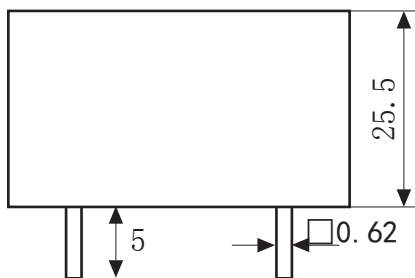
#### Series connection:

- 4-9 short circuit/1-6input
- 12-17 short circuit/14-19 output

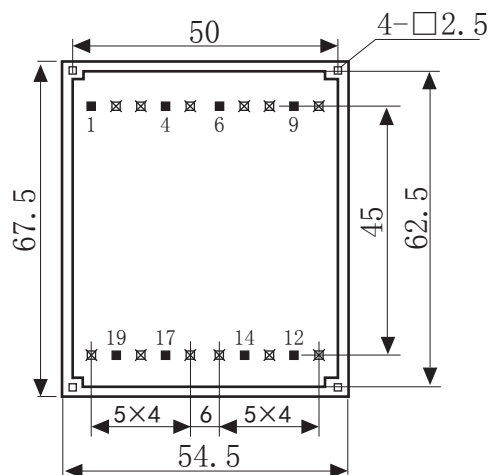
#### Parallel connection:

- 1-9 short circuit.4-6short circuit
- 1-4 input or 6-9 input
- 12-19 short circuit.14-17 short circuit
- 12-14 output or 17-19 output

Dimension (in mm±0.5) :



Side View



Bottom View