

Model:LKB6028-L

Product picture print for reference only,
subject to the actual product

Characteristics:

1. Vacuum epoxy sealing, 100 °C/6 hours high temperature aging, life span of 20 years, high electrical strength
2. High quality H18 silicon steel sheet, low temperature rise, high efficiency
- 3.PBT engineering plastic, environmental protection, flame retardant, 120 degrees no deformation
4. Reasonable structure, convenient installation, low noise, strong seismic, sealed waterproof, moisture-proof



Technical Index:

Technical Index: Sub-plate mount

Flame resistance : UL94-V0

Insulation class: B

Operation temperature: -30°C ~ +40°C

Work frequency: 50Hz~60Hz

Dielectric strength: Pri./Sec. 3.5KV 50Hz 1min 5mA,Sec/Sec 500V 50Hz 1min 5mA

Electrical parameters: The following parameters are typical values. The actual values shall be subject to the actual measurement of the product

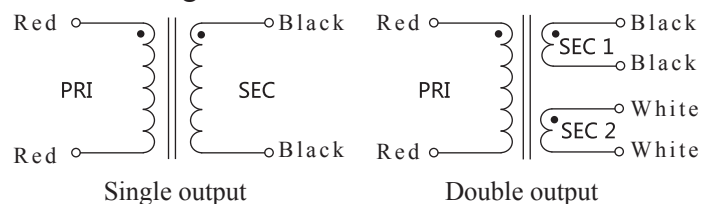
Standard output parameters Table:

(Delivery is subject to full load voltage)

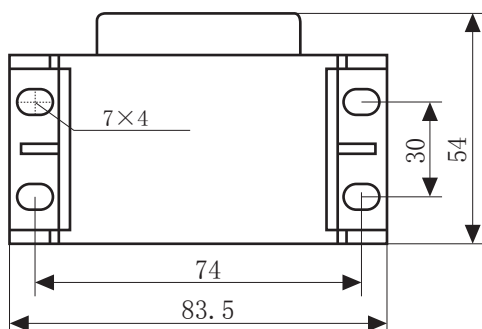
Secondary voltage		Secondary no load voltage		Secondary full load current	
Single	Double	Single	Double	Single	Double
6V	2×6V	6.9V	2×6.9V	6666mA	2×3333mA
7.5V	2×7.5V	8.6V	2×8.6V	5333mA	2×2666.5mA
9V	2×9V	10.3V	2×10.3V	4444mA	2×2222mA
12V	2×12V	13.8V	2×13.8V	3333mA	2×1666.5mA
15V	2×15V	17.2V	2×17.2V	2666mA	2×1333mA
18V	2×18V	20.7V	2×20.7V	2222mA	2×1111mA
24V	2×24V	27.5V	2×27.5V	1666mA	2×833mA

Primary voltage	110/220/230/380	V
Primary voltage range	±10	%
Voltage regulation	≤12	%
Power	40	VA
Temperature rising	≤28	°C
No load loss	≤2.5	W
weight	840	g

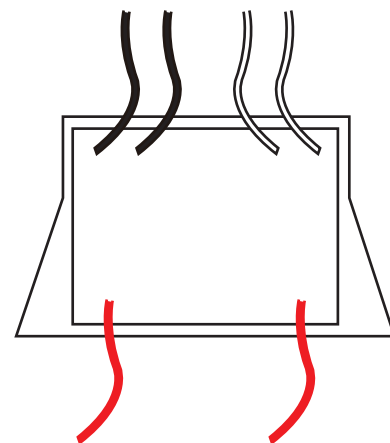
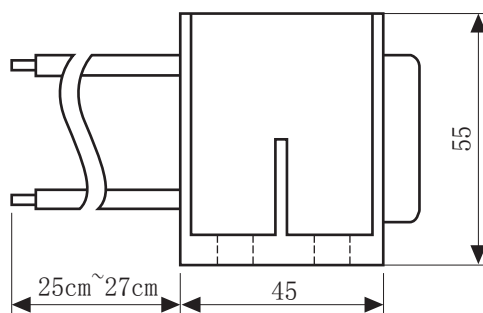
Schematic Diagram:



Dimension (in mm) :



Bottom View



Front View