

## Introduction to integrators

The combination of the rogowski coil and integrator can achieve 90° phase shift compensation and frequency equalization, so that the output of rogowski coil is in the same phase as the primary current and is frequency independent, which is suitable for more application scenarios. TRS series output industry standard 4-20mA, 0-20mA, 0-5V, 0-10V, ideal for process control, status alarm or system monitoring. Commonly used with SCADA systems, PLCs, data loggers and protective devices.

## Features

- Accuracy 1%
- Low zero drift
- Plate-type mounting
- High bandwidth measurement 20 to 2kHz
- Can be combined with RFSY rogowski coil of any size
- Can be combined with RFSZ rogowski coil of any size

## Application

- Power monitoring and analysis
- Harmonics and transient monitoring
- Welding machine control
- High current measurement
- PLC control

Product picture printing is for reference only, subject to the actual product

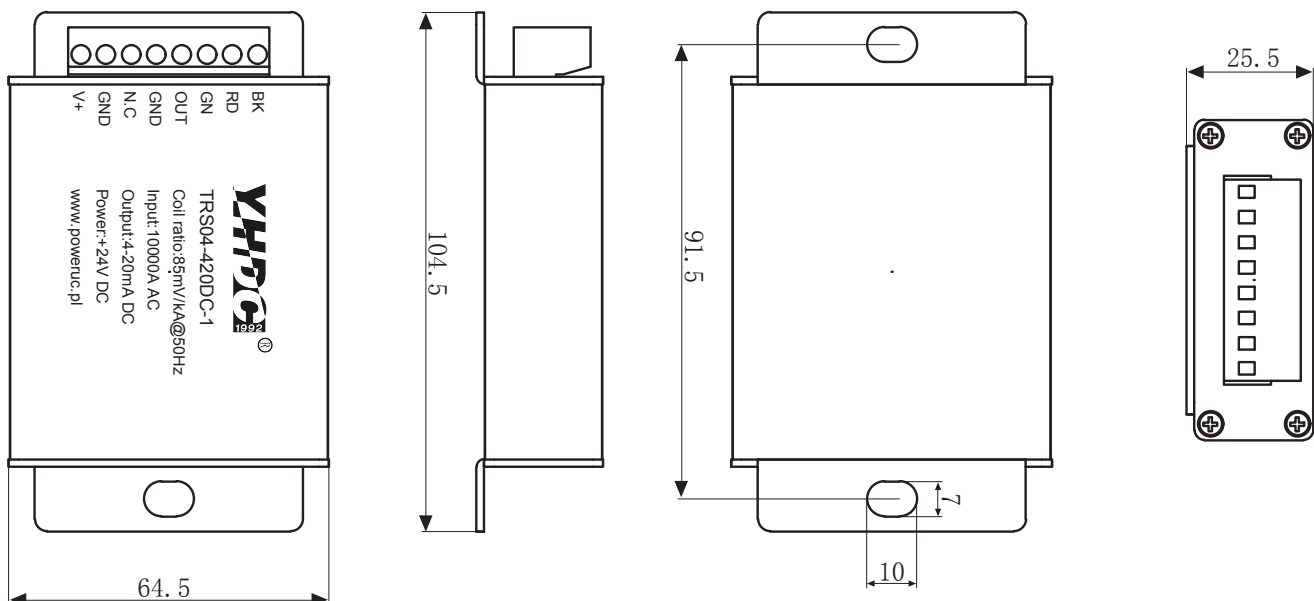


Electrical parameters: ( The following parameters are typical values and actual values will be subject to product testing )

## Terminal definition

- 1: Signal  $V_s^-$  ( Black line )
- 2: Signal  $V_s^+$  ( Red line )
- 3: Shielding (green line)
- 4: Output
- 5: GND
- 6: N. C ( Null terminal)
- 7: GND
- 8:  $V_+$

## Dimensions (in:mm±0.5)



Model	TRS04-420DC-1	TRS04-001DC-1	TRS04-005DC-1	TRS04-010DC-1
Rated input	100~6KA			
Rated output	4-20mA DC	0-1V DC	0-5V DC	0-10V DC
Maximum output	24mA DC	1.2V DC	6V DC	12V DC
Accuracy	1%(typical value 5%~120% of rated current at 25°C)			
Frequency range	20Hz~2KHz			
Linearity	±0.2%(current-rated1%~120%)			
Phase shift	≤0.5°			
Response time	100mS			
Ripple coefficient	5%			
Power supply	+24V			
Mounting type	Plate-type			
Working temperature	-20°C~+60°C			
Storage temperature	-40°C~+60°C			
Waterproof grade	IP20			