

## Introduction to integrators

The combination of the Rothschild coil and integrator can achieve 90° phase shift compensation and frequency equalization, so that the Rothschild coil The output is in the same phase as the primary current and is frequency independent to adapt to more application scenarios. TRV Series Can output industry standard 0.333V, 1V, 5V ideal for process control, status alarm or system monitoring. Usually used with power analyzer, oscilloscope, ammeter, data logger, data acquisition card and other equipment.

## Features

- Accuracy 1%
- Low zero drift
- Sub-plate mount
- High bandwidth measurement 10 to 10kHz
- Can be combined with RFSY rogowski coil of any size
- Can be combined with RFSZ rogowski coil of any size

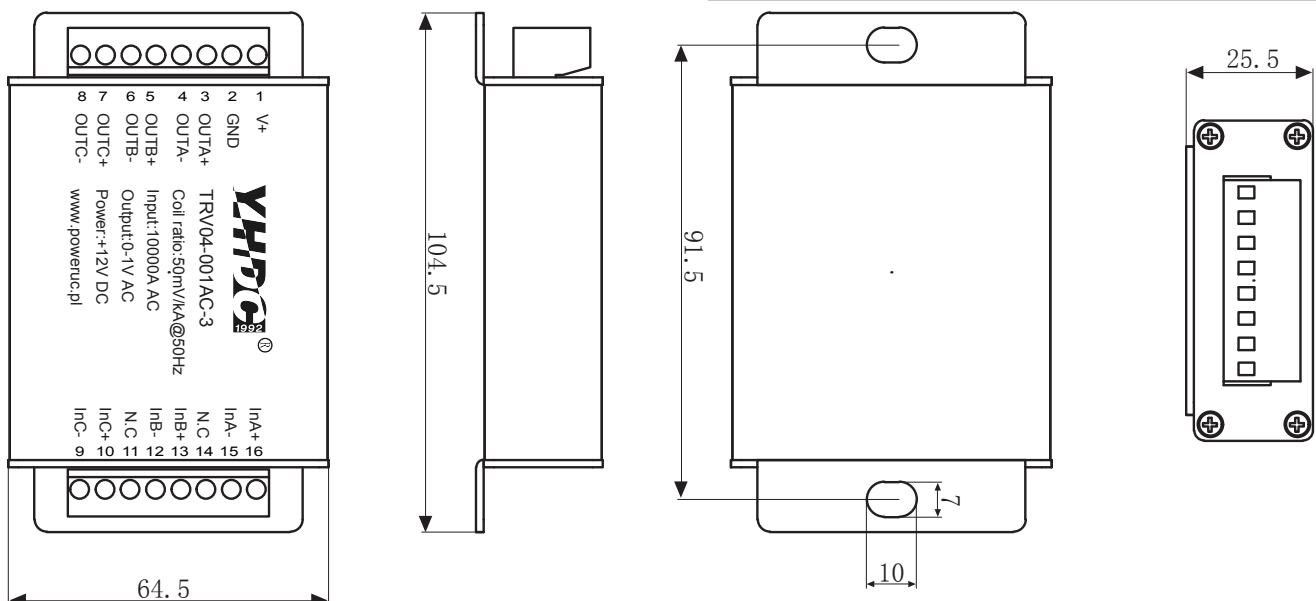
## Application

- Power analyzer
- Oscilloscope
- Amperemeter
- Data recorder
- Data acquisition card

## Terminal definition

- |             |             |
|-------------|-------------|
| 1: Power+   | 9: InputC-  |
| 2: Power-   | 10: InputC+ |
| 3: OutputA+ | 11: N. C    |
| 4: OutputA- | 12: InputB- |
| 5: OutputB+ | 13: InputB+ |
| 6: OutputB- | 14: N. C    |
| 7: OutputC+ | 15: InputA- |
| 8: OutputC- | 16: InputA+ |

## Dimensions (in:mm±0.5)



Product picture printing is for reference only, subject to the actual product



Electrical parameters: ( The following parameters are typical values and actual values will be subject to product testing )

Model	TRV04-333AC-3	TRV04-001AC-3	TRV04-005AC-3
Rated input	100~6KA		
Rated output	0.333V AC	1V AC	5V AC
Maximum output	5V AC	5V AC	5V AC
Accuracy	1% (typical value 5%~120% of rated current at 25°C)		
Frequency range	10Hz~10KHz		
Linearity	±0.2%		
Phase shift	≤0.5°		
Response time	≤1uS		
Ripple coefficient	1%		
Power supply	12V DC		
Mounting type	Sub-plate mount		
Working temperature	-20°C~+60°C		
Storage temperature	-40°C~+60°C		
Waterproof grade	IP20		