

Characteristic:

Safety lock buckle, easy installation, cable output.

Product picture : (the printed words are for reference only, subject to the actual product)

Technical index:

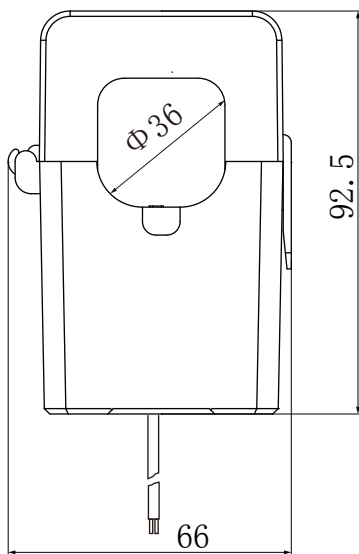
- Mounting type: Free hanging (In-Line)
- Material of core: Laminated silicon steel
- Applicable standards: GB20840-2014
- Operating temperature: $-25^{\circ}\text{C} \sim +60^{\circ}\text{C}$
- Storage temperature: $-30^{\circ}\text{C} \sim +90^{\circ}\text{C}$
- Frequency range: 50Hz-60Hz
- Waterproof grade: IP00
- Dielectric strength: Input (bare conductor)/Output AC 800V/1min 50Hz
Output/housing AC 3.5KV/1min 50Hz



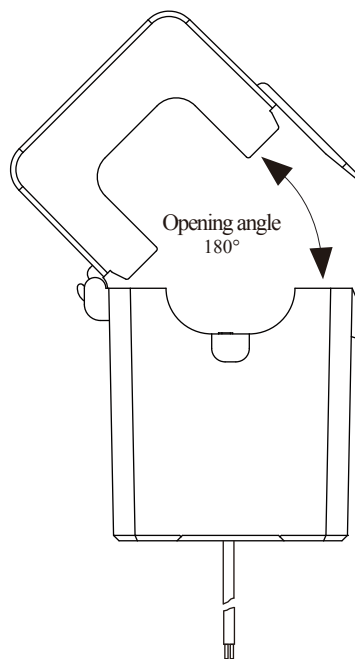
Electrical parameters: (The following parameters are typical values and actual values will be subject to product testing)

| | | | | | | | | |
|----------------|-------------|-----|-----|-----|-----|-----|------|--|
| Input current | 100 | 200 | 300 | 400 | 500 | 600 | A | Specifications of cable: 2 x 0.2mm ² two core sheathed cable The length of cable: 100cm~105cm Voltage output type Secondary is not allowed to short circuit |
| Output voltage | 0.333/1/3/5 | | | | | | V/AC | |
| Accuracy | 0.5/1 | | | | | | % | |
| Weight | 310 | | | | | | g | |

Dimensions (in mm ± 0.5) :



Front view



Side view

