

Zero sequence current transformer

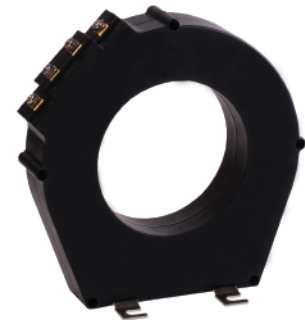


Model: **ZCT080**

Characteristic: Sub-plate mount、Crimping terminal output、
With test terminal, Used for leakage current protection
and zero sequence current detection.

Technical index:

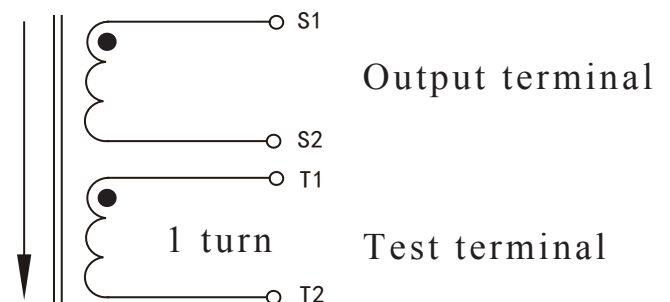
- Core material: permalloy
- Flame resistance: UL94-Vo
- Complaint with: GB1208-2006
- Working temperature: $-20^{\circ}\text{C} \sim +70^{\circ}\text{C}$
- Storage temperature: $-30^{\circ}\text{C} \sim +90^{\circ}\text{C}$
- Work frequency: 20Hz-20KHz
- Dielectric strength: 3.5KV 50Hz 1min



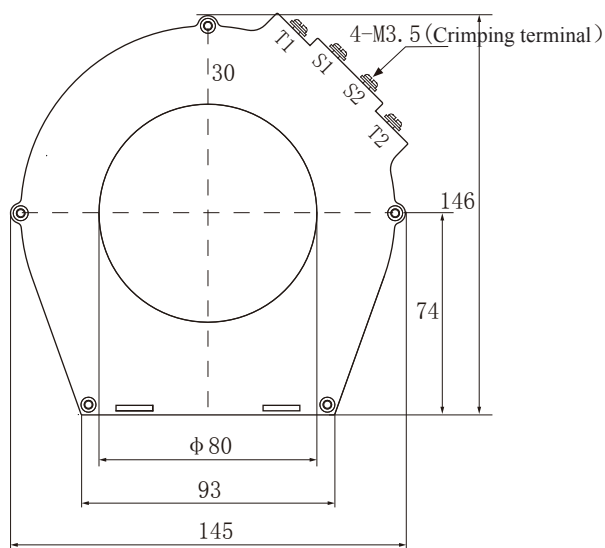
Electrical Index:

| | | |
|--------------------------------|--------|----------|
| Primary rated test current | 200 | mA |
| Secondary rated output current | 1.5 | mA |
| Turn ratios | 1: 133 | |
| Accuracy | 10 | % |
| Sampling resistance | 100 | Ω |
| weight | 90 | g |

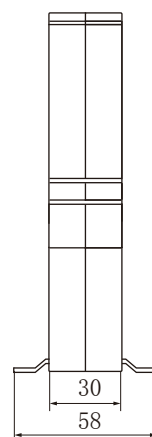
Wiring schematic diagram:



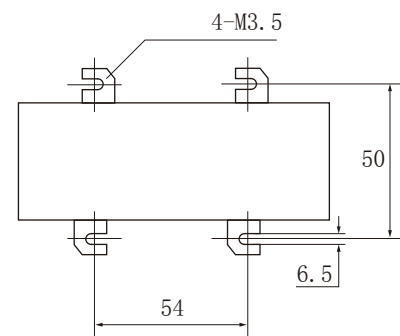
Dimension(in mm):



Front view



Side view



Bottom view